



Aluminium **Profiles**

Elephant Drawer locks

Architectural **Hardware**

Modular **Kitchen** Accessories

Modular **Wardrobe** Accessories

Product Catalogue

Complete **HARDWARE** solutions under one roof

Affordable Luxury | Timeless **Performance** | Enduring **Quality**

2024

MODULAR

Pioneering in ultra luxury modular kitchen & wardrobe accessories

2022

GROWING

Growing is habit now (More than 3000 square yards of warehouse)

2016

300 PRODUCTS

Working with more than 300 products spread over 2500 SKU'S

2012

BIG SHOWROOM

Opened big showroom in chawri bazaar main road

2004

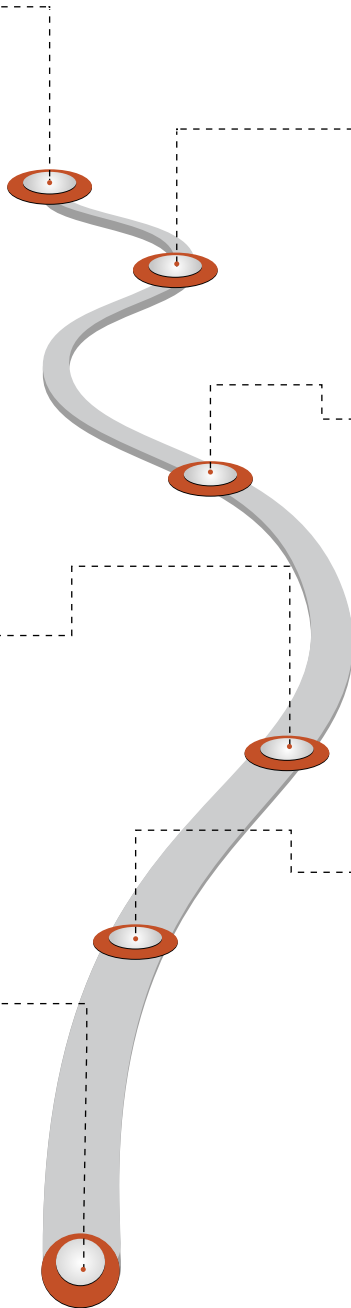
OPENED

Small shop in chawri bazaar main road

2001

STARTED

Import of hardwares with single product (80 square yards of warehouse)



1 Wardrobe Series

2 - 23	Trouser Rack
24 - 27	Rattan Basket
28 - 31	Hanger Lifter
32 - 41	Shoe Rack
42 - 45	Corner Rotating Basket
46 - 53	Decoration Basket
54 - 67	Decoration Shelf
68 - 71	Looking Mirror for Wardrobe
72 - 73	Iron Board
74 - 81	Vaccum Button, Bracket & Hood
82 - 84	Digital Locker

2 Kitchen Catalogue

86 - 91	Quadro Slides
92 - 97	Hinges
98 - 103	Tandem Box
104 - 109	Telescopic Channel
110 - 119	Cabinet Support
120 - 125	Bottle Pull Out
126 - 129	Cabinet Drawer Basket
130 - 131	GTPT (Dish Rack)
132 - 139	Elevator Basket
140 - 145	Magic Corner
146 - 153	Pantry
154 - 157	S-Carousel For Corner

3 Aluminium Profile

159 - 163	F Profile
164 - 168	T Profile
169 - 171	G Profile
172 - 173	Glass Profile
174 - 177	Glass Handle
178 - 181	Inlay Profile
182 - 184	Inlay Pipe
185 - 186	Oval Curtain Profile
187 - 188	Gola Profile
189	C Channel Profile
190	V Profile
191	J Profile
191 - 195	Kitchen Profile Handle
196 - 200	Wardrobe Profile Handle

4 Architectural Hardware

202 - 203	3D Adjustable Canceled Hinge
204 - 209	Digital Lock Series
210 - 213	Night Latch Series
214 - 217	Door Knob Lock Series
218 - 225	Mortise Handles Series
226 - 227	Lock Body & Cylinder Series
228 - 231	Door Holder Series
232 - 233	Door Closer Series
234 - 235	Door Bearing Hinges Series
236 - 244	Cabinet Handle & Knob Series
246 - 249	Kids Handle & Knobs Series
250 - 253	Bed Fitting Series
254 - 255	Folding Bracket Series
256 - 259	Edge Banding Tape Series
260 - 261	Aluminum Profile Accessories Series
262 - 263	New LED Light Series
264 - 265	Keyboard Channel Series

5 Drawer Lock

267 - 268	Drawer Lock
269 - 270	Sliding Lock
271 - 273	Three Drawer Lock Front
274	Double Ton
275 - 277	Elephant Lock
278	Drawer Lock
279	Cam Lock
280	Push Lock
281 - 282	Glass Lock
283 - 284	Wardrobe Lock



Wardrobe Series





Trouser Rack



Trouser Rack

Product Name: Trouser Rack

Model No. - GH - 1001

Colour - Grey



Dimension (mm)	W	D	H
	350	455	115

Functional Features

Design

Pants Racks are design for rotatable, it bring you the fun of picking. Flannelette soft elastic, protection of the beloved clothes, no crease.

Function

With the fully concealed silent soft-closing slide, It can be keep the pants rack smooth sliding.

Feature

The overall push-pull design is more convenient to receive clothes, standard with the same color non-slip flocking tube, effectively prevent pants from falling down.

Material

Optional 3 color flocking tube, make it more practical and bring some warmth for the furniture.

Installation

Not divided about the installation, not restricted by cabinet, simple and convenient, let us install the product when more follow one's inclinations.



Trouser Rack

Product Name: Trouser Rack

Model No. - GH - 100101

Colour - Mocha



Dimension (mm)	W	D	H
	350	455	115

Functional Features

Design

Pants Racks are design for rotatable, It bring you the fun of picking. Flannelette soft elastic, protection of the beloved clothes, no crease.

Function

The whole push-pull design is more convenient to receive clothes, with the fully concealed silent soft-closing slide, it can be keep the pants rack smooth sliding.

Feature

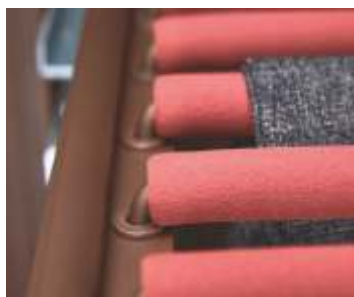
Ringorous geometric shape modelling, showing full personality while giving consideration to elegance, the whole set of collocation for the living space, provides excellent modelling combination.

Material

Optional 3 colour flocking tube, make it more practical and bring some warmth for the furniture.

Installation

Not divided about the installation, not restricted by cabinet, simple and convenient, let us install the product when more follow one's inclinations.



Trouser Rack

Product Name: Trouser Rack

Model No. - GH - 100101

Colour - wood



Dimension (mm)	W	D	H
	350	455	115

Functional Features

Design

Pants Racks are design for rotatable, it bring you the fun of picking. Flannelette soft elastic, protection of the beloved clothes, no crease.

Function

The whole push-pull design is more convenient to receive clothes, with the fully concealed silent soft-closing slide, It can be keep the pants rack smooth sliding.

Feature

Ringorous geometric shape modelling, showing full personality while giving consideration to elegance, the whole set of collocation for the living space, provides excellent modelling combination.

Material

Optional 3 colour flocking tube, make it more practical and bring some warmth for the furniture.

Installation

Not divided about the installation, not restricted by cabinet, simple and convenient, let us install the product when more follow one's inclinations.



Trouser Rack (Leather)



Product Name: Trouser Rack (Leather)

Model No. - GH - 100501

Colour - Blue

Dimension (mm)	W	D	H
	350	446	115

Functional Features

Design

Pants Racks are design for rotatable, it bring you the fun of picking. Flannelette soft elastic, protection of the beloved clothes, no crease.

Function

The whole push-pull design is more convenient to receive clothes, with the fully concealed silent soft-closing slide, It can be keep the pants rack smooth sliding.

Feature

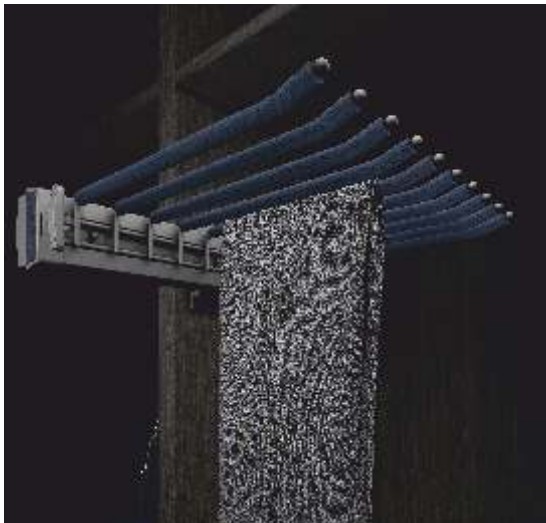
Ringorous geometric shape modelling, showing full personality while giving consideration to elegance, the whole set of collocation for the living space, provides excellent modelling combination.

Material

Optional 3 colour flocking tube, make it more practical and bring some warmth for the furniture.

Installation

Not divided about the installation, not restricted by cabinet, simple and convenient, let us install the product when more follow one's inclinations.



Trouser Rack

Product Name: Double Mounted Rack

Model No. - GH - 1002

Colour - Grey



Dimension (mm)	W	D	H
	630	455	115

Functional Features

Design

Double row Rack design, so worthy of the concept of storage. Flannelette soft elastic, protection of the beloved clothes, no crease.

Function

With the fully concealed silent soft-closing slide, It can be keep the pants rack smooth sliding.

Feature

The overall push-pull design is more convenient to receive clothes, standard with the same color non-slip flocking tube, effectively prevent pants from falling down.

Material

Optional 3 color flocking tube, make it more practical and bring some warmth for the furniture.

Installation

Top Installation, simple and convenient, let us Install the product when more arbitrary.



Trouser Rack

Product Name: Double Mounted Rack

Model No. - GH - 100201

Colour - Mocha



Dimension (mm)	W	D	H
	630	455	115

Functional Features

Design

Double row Rack design, so worthy of the concept of storage. Flannelette soft elastic, protection of the beloved clothes, no crease.

Function

The whole push-pull design is more convenient to receive clothes, with the fully concealed side, it can be rack smooth sliding

Feature

Ringorous geometric shape modelling, showing full personality while giving consideration the whole set of collocation for the living space, provides excellent modelling combination.

Material

Optional 3 colour flocking tube, make it more practical and bring some warmth for the furniture.

Installation

Top Installation, simple and convenient, let us install the product when more arbitrary.



Trouser Rack

Product Name: Double Mounted Rack

Model No. - GH - 100201

Colour - Wood



Dimension (mm)	W	D	H
	630	455	115

Functional Features

Design

Double row Rack design, so worthy of the concept of storage. Flannelette soft elastic, protection of the beloved clothes, no crease.

Function

The whole push-pull design is more convenient to receive clothes, with the fully concealed side, it can be rack smooth sliding

Feature

Ringorous geometric shape modelling, showing full personality while giving consideration the whole set of collocation for the living space, provides excellent modelling combination.

Material

Optional 3 colour flocking tube, make it more practical and bring some warmth for the furniture.

Installation

Top Installation, simple and convenient, let us install the product when more arbitrary.



Trouser Rack (Leather



Product Name: Double Mounted Rack (Leather)

Model No. - GH - 100601

Colour - Blue

Dimension (mm)	W	D	H
	630	455	96

Functional Features

Design

Double row Rack design, so worthy of the concept of storage. Flannelette soft elastic, protection of the beloved clothes, no crease.

Function

The whole push-pull design is more convenient to receive clothes, with the fully concealed side, it can be rack smooth sliding

Feature

Rigorous geometric shape modelling, showing full personality while giving consideration the whole set of collocation for the living space, provides excellent modelling combination.

Material

Optional 3 colour flocking tube, make it more practical and bring some warmth for the furniture.

Installation

Top Installation, simple and convenient, let us install the product when more arbitrary.



Trouser Rack

Product Name: V Shape Rack

Model No. - GH - 1003

Colour - Grey



Dimension (mm)	W	D	H
	340	455	140

Functional Features

Design

Top-mounted Vshaped design make the limited space more diversification. Flannelette soft elastic, protection of the beloved clothes, no crease.

Function

With the fully concealed silent soft-closing slide, It can be keep the pants rack smooth sliding.

Feature

The overall push-pull design is more convenient to put pants.

Material

Optional 3 color flocking tube, make it more practical and bring some warmth for the Furniture.

Installation

Top Installation, simple and convenient, let us Install the product when more arbitrary.



Trouser Rack



Product Name: V Shape Rack

Model No. - GH - 100301

Colour - Mocha

Dimension (mm)	W	D	H
	340	455	140

Functional Features

Design

Double row Rack design so worthy of the concept of storage, flannelette soft elastic, protection of the beloved clothes, no crease.

Function

The whole push-pull design is more convenient to receive clothes, with the fully concealed silent soft-closing slide, It can be keep the pants rack smooth sliding.

Feature

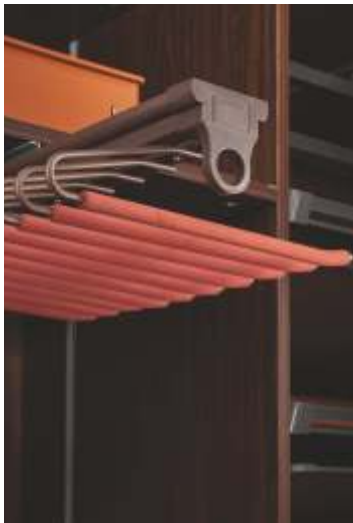
Ringorous geometric shape modelling, showing full personality while giving consideration to allegiance, the whole set of collocation for the living space. provides excellent modelling combination.

Material

Optional 3 colour flocking tube, make it more practical and bring some warmth for the furniture.

Installation

Top Installation, simple and convenient, let us install the product when more arbitrary.



Trouser Rack

Product Name: V Shape Rack

Model No. - GH - 100301

Colour - Wood



Dimension (mm)	W	D	H
	340	455	140

Functional Features

Design

Double row Rack design so worthy of the concept of storage, flannelette soft elastic, protection of the beloved clothes, no crease.

Function

The whole push-pull design is more convenient to receive clothes, with the fully concealed silent soft-closing slide, it can be keep the pants rack smooth sliding.

Feature

Ringorous geometric shape modelling, showing full personality while giving consideration to allegiance, the whole set of collocation for the living space. provides excellent modelling combination.

Material

Optional 3 colour flocking tube, make it more practical and bring some warmth for the furniture.

Installation

Top Installation, simple and convenient, let us Install the product when more arbitrary.



Trouser Rack (Leather)

Product Name: V Shape Rack (Leather)

Model No. - GH - 100701

Colour - Blue



Dimension (mm)	W	D	H
	340	446	125

Functional Features

Design

Double row Rack design so worthy of the concept of storage, flannelette soft elastic, protection of the beloved clothes, no crease.

Function

The whole push-pull design is more convenient to receive clothes, with the fully concealed silent soft-closing slide, it can be keep the pants rack smooth sliding.

Feature

Ringorous geometric shape modelling, showing full personality while giving consideration to allegiance, the whole set of collocation for the living space. provides excellent modelling combination.

Material

Optional 3 colour flocking tube, make it more practical and bring some warmth for the furniture.

Installation

Top Installation, simple and convenient, let us Install the product when more arbitrary.



Trouser Rack

Product Name: Cloth Holder

Model No. - GH - 1004

Colour - Grey



Dimension (mm)	W	D	H
	115	455	115

Functional features

Design

Different Top-mounted Cloths holder, to create an extraordinary life, Let chest receive more convenient, more reasonable.

Function

With the fully concealed silent soft-closing slide, It can be keep the pants rack smooth sliding.

Feature

The overall push and pull design more convenient to put pants.

Material

Racks in Nano dry plating, keep products In Color coordination, fashion, strong rust resistance make, it more practical and bring some worth for the furniture.

Installation

Top Installation, not restricted by cabinet, simple and convenient, let us in the Installation of products more arbitrary.



Trouser Rack

Product Name: Cloth Holder

Model No. - GH - 100401

Colour - Mocha

Dimension (mm)	W	D	H
	115	455	115

Functional Features

Design

Different Top-mounted Cloths holder, to create an extraordinary life, Let chest receive more convenient, more reasonable.

Function

The whole push-pull design is more convenient to receive clothes, with the fully concealed silent soft-closing slide, it can be keep the pants rack smooth sliding.

Feature

Ringorous geometric shape modelling, showing full personality while giving consideration to elegance, the whole set of collocation for the living space. provides excellent modelling combination.

Material

Racks in Nano dry plating, keep products In Colour coordination, fashion, strong rust resistance make, it more practical and bring some worth for the furniture.

Installation

Top Installation, not restricted by cabinet, simple and convenient, let us in the Installation of products more arbitrary.



Trouser Rack (Leather)

Product Name: Cloth Holder (Leather)

Model No. - GH - 100801

Colour - Blue



Dimension (mm)	W	D	H
	115	455	115

Functional Features

Design

Different Top-mounted Cloths holder, to create an extraordinary life, Let chest receive more convenient, more reasonable.

Function

The whole push-pull design is more convenient to receive clothes, with the fully concealed silent soft-closing slide, it can be keep the pants rack smooth sliding.

Feature

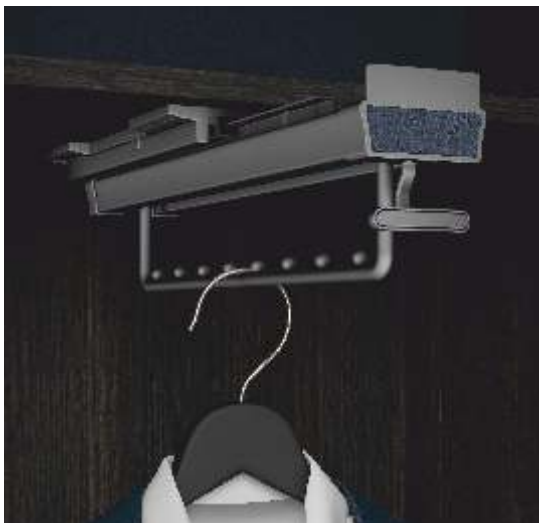
Ringorous geometric shape modelling, showing full personality while giving consideration to elegance, the whole set of collocation for the living space. provides excellent modelling combination.

Material

Racks in Nano dry plating, keep products In Colour coordination, fashion, strong rust resistance make, it more practical and bring some worth for the furniture.

Installation

Top Installation, not restricted by cabinet, simple and convenient, let us in the Installation of products more arbitrary.



Trouser Rack

Product Name: Trouser Rack HiGold

Model No. - GH - 1401A & 1401B

Colour - Golden

Size	1401A		1401B	
	600 mm		900 mm	
Dimension (mm) (1401A)	W	D	H	
	564	460	71	
Dimension (mm) (1401B)	W	D	H	
	864	460	71	

Functional Features

Easy pullout providing clear access to your outfits.

The nonslip PVC lining on removable hangers hold pants/ sarees fabric firmly.

Store trousers/ sarees without creasing them with this innovative pull-out wardrobe rack.

Design for 600 and 900 mm wide cabinets, with soft close feature.



Trouser Rack

Product Name: Trouser Rack Higold

Model No. - GH - 1501A & 1501B

Colour - Grey



Cabinet	1501A	1501B	
	600 mm	900 mm	
Dimension (mm)	W	D	H
(1501A)	564	460	71
Dimension (mm)	W	D	H
(1501B)	864	460	71

Functional Features

Design

Pants racks are adjustable, You can pick out arbitrary. It can be increased the racks with your need, So worthy of the concept of storage.

Function

With the fully concealed silent soft-closing slide, it can be keep the pants rack smooth sliding.

Feature

The width of the frame is adjustable according to the Internal wardrobe with adjustable folder 50mm.

Material

Modern fashion appearance of the aluminum frame with a new high-purity aluminum alloy material, can ensure the stability of the product.

Installation

The product is suitable for the standard cabinet, the optimum thickness of the cabinet board is 16-18mm.



Trouser Rack



Product Name: Trouser Rack

Model No. - GH - 1801A & 1801B

Colour - Mocha

Cabinet	1801A	1801B	
	600 mm	900 mm	
Dimension (mm)	W	D	H
(1801A)	564	465	76
Dimension (mm)	W	D	H
(1801B)	864	465	76

Functional Features

Design

Pants racks are adjustable, You can pick out arbitrary. It can be increased the racks with your need, So worthy of the concept of storage.

Function

With the fully concealed silent soft-closing slide, it can be keep the pants rack smooth sliding.

Feature

The combination of бага and saddle color brings a whole new definition to the wardrobe environment, The width of the frame is adjustable according to the internal wardrobe with adjustable for 50mm.

Material

Modern fashion appearance of the aluminum frame with a new high-purity aluminum alloy material, can ensure the stability of the product.

Installation

The product is suitable for the standard cabinet, the optimum thickness of the cabinet board is 16-18mm.



Trouser Rack (Wood)



Product Name: Trouser Rack (Wood)

Model No. - GH - 190101 & 190104

Colour - Wood

Cabinet	190101	190104	
	600 mm	900 mm	
Dimension (mm)	W	D	H
(190101)	564	460	77
Dimension (mm)	W	D	H
(190104)	864	460	77

Functional Features

Design

Pants racks are adjustable, You can pick out arbitrary. It can be increased the racks with your need, So worthy of the concept of storage.

Function

With the fully concealed silent soft-closing slide, it can be keep the pants rack smooth sliding.

Feature

The combination of бага and saddle color brings a whole new defination to the wardrobe enviroment, The width of the frame is adjustable according to the internal wardrobe with adjustable fol 50mm.

Material

Modern fashion appearance of the aluminum frame with a new high-purity aluminum alloy material, can ensure the stability of the product.

Installation

The product is suitable for the standard cabinet, the optimum thickness of the cabinet board is 16-18mm.





Trouser Rack (Leather)



Product Name: Trouser Rack (Leather)

Model No. - GH - 156101 & 156104

Colour - Blue

Cabinet	156101	156104	
	600 mm	900 mm	
Dimension (mm) (156101)	W	D	H
	564	472	59
Dimension (mm) (156104)	W	D	H
	864	472	59

Functional Features

Design

Pants racks are adjustable, You can pick out arbitrary. It can be increased the racks with your need, So worthy of the concept of storage.

Function

With the fully concealed silent soft-closing slide, it can keep the pants rack smooth sliding.

Feature

The combination of бага and saddle color brings a whole new definition to the wardrobe environment, The width of the frame is adjustable according to the internal wardrobe with adjustable fol 50mm.

Material

Modern fashion appearance of the aluminum frame with a new high-purity aluminum alloy material, can ensure the stability of the product.

Installation

The product is suitable for the standard cabinet, the optimum thickness of the cabinet board is 16-18mm.





Rattan Basket



Rattan Basket

Product Name: Rattan Basket HiGold

Model No. - GH - 1403A & 1403B

Colour - Golden GC



Cabinet	1403A	1403B	
	600 mm	900 mm	
Dimension (mm) (1403A)	W 564	D 460	H 71
Dimension (mm) (1403B)	W 864	D 460	H 71

Functional Features

Well - designed plastic wicker basket with soft close feature is ideal for organised storage in wardrobes.

Easy pull out providing clear access to your outfits.

Designed for 600 & 900mm wide cabinets.



Rattan Basket



Product Name: Rattan Basket

Model No. - GH - 1502A & 1502B

Colour - Grey

Cabinet	1502A	1502B	
	600 mm	900 mm	
Dimension (mm)	W	D	H
(1502A)	564	460	170
Dimension (mm)	W	D	H
(1502B)	864	460	170

Functional Features

Design

PE rattan-like material has a good flame retardant effect, good toughness, not stagnant water and have a certain pest control effect.

Function

With the fully concealed silent soft-closing slide, it can keep the pants rack smooth sliding.

Feature

The width of the frame is adjustable according to the internal wardrobe with- adjustable fol 50mm.

Material

Modern fashion appearance of the aluminum frame with a new high-purity aluminum alloy material, can ensure the stability of the product.

Installation

The product is suitable for the standard cabinet, the optimum thickness of the cabinet board is 16-18mm.



Rattan Basket

Product Name: Rattan Basket

Model No. - GH - 1802A & 1802B

Colour - Mocha



Cabinet	1802A	1802B	
	600 mm	900 mm	
Dimension (mm) (1802A)	W 564	D 460	H 170
Dimension (mm) (1802B)	W 864	D 460	H 170

Functional Features

Design

PE rattan-like material has a good flame retardant effect, good toughness, not stagnant water and have a certain pest control effect.

Function

With the fully concealed silent soft-closing slide, it can be kept the pants rack smooth sliding.

Feature

The width of the frame is adjustable according to the internal wardrobe with- adjustable fol 50mm.

Material

Modern fashion appearance of the aluminum frame with a new high-purity aluminum alloy material, can ensure the stability of the product.

Installation

The product is suitable for the standard cabinet, the optimum thickness of the cabinet board is 16-18mm.





Hanger Lifter



Hanger Lifter (HiGold)

Product Name: Hanger Lifter (HiGold)

Model No. - GH - 1205

Colour - Golden

Dimension (mm)	W	D	H
(1205)	830	-	1150

Functional Features

It enables the wardrobe interior to be used in a new way, hanging suits and dresses at the top.

Particularly suited to interiors from 750 mm to 1150 mm wide.

It can be lowered, locked in position to load or unload clothing, before returning easily into the wardrobe silently.

The lift is returned to the top position by a hydraulic device operated with a specially designed fluid and is fixed directly into the "System 32" hole with fastening screws provided in the pack. It has specially shaped base to avoid door hinges. Load Capacity 15kgs.



Hanger Lifter

Product Name: Hanger Lifter

Model No. - GH - 1205A & 1205B

Colour - Black



Cabinet	1205A	1205B	
	600 mm	900 mm	
Dimension (mm) (1205A)	W	D	H
	600	-	830
Dimension (mm) (1205B)	W	D	H
	830	-	1150

Functional Features

Design

Hydraulic design, easy to pull down, smooth and smooth rise. Give you a comfortable home experience, high ark essential god assistant.

Function

Double buffer hydraulic, stronger, long service life, easy to pull down, within reach, streamlined frosted handle, hold hands

Feature

The bar is designed to be retractable. It has three sizes and fits the wardrobe of different widths and specifications.

Material

The product is made of high purity aluminum alloy material, which ensures the toughness and stability of the material, and is fashionable in appearance.

Installation

It is suitable for installing the top of the 2.4M with cabinet and making full use of the space of the cabinet. The product is suitable for the standard cabinet, the optimum thickness of the cabinet board is 16-18 mm



Hanger Lifter

Product Name: Hanger Lifter

Model No. - GH - 120503

Colour - Mocha



Dimension (mm)	W	D	H
(120503)	830	-	1150

Functional Features

Design

Hydraulic design, easy to pull down, smooth and smooth rise. Give you a comfortable home experience, high ark essential god assistant.

Function

Double buffer hydraulic, stronger, long service life, easy to pull down, within reach, streamlined frosted handle, hold hands

Feature

The bar is designed to be retractable. It has three sizes and fits the wardrobe of different widths and specifications.

Material

The product is made of high purity aluminum alloy material, which ensures the toughness and stability of the material, and is fashionable in appearance.

Installation

It is suitable for installing the top of the 2.4M hith cabinet and making full use of the space of the cabinet. The product is suitable for the standard cabinet, the optimum thickness of the cabinet board is 16-18mm 20





Shoe Rack



Shoe Rack

Product Name: Shoe Rack 6 Layers & 12 Layers

Model No. - GH - 1208

Colour - Grey

Dimension (mm)	W	D	H
(6 Layers)	700	360	955-1200
Dimension (mm)	W	D	H
(12 Layers)	700	360	1910-2100

Functional Features

Design

360 degrees revolving; Split-layer design can hold twice as many shoes; Maximize the use of space, choose shoes follow one's inclination.

Function

Cabinet height is no longer limited, no need to change cabinet can be installed. Double-sided convenient rotation pull out, easy rotation; Below the circumstance that ark height allows, adjust coping height to grow, can put down winter boot.

Feature

Large storage capacity, Each layer can be placed more than 3 pairs of shoe rack. The highly of the frame is adjustable according to the Internal wardrobe with-adjustable fol 200mm.

Material

Modern fashion appearance of the aluminum frame with a new high- purity aluminum alloy material, can ensure the stability of the product.

Installation

The product is suitable for the standard cabinet, the optimum thickness of the cabinet board is 16-18mm.



Shoe Rack

Product Name: Shoe Rack 6 Layer & 12 Layers

Model No. - GH - 120805

Colour - Mocha

Dimension (mm)	W	D	H
(6 Layers)	700	360	1910-2210
Dimension (mm)	W	D	H
(12 Layers)	700	360	1910-2100

Functional Features

Design

360 degrees revolving; Split-layer design can hold twice as many shoes; Maximize the use of space, choose shoes follow one's inclination.

Function

Cabinet height is no longer limited, no need to change cabinet can be installed. Double-sided convenient rotation pull out, easy rotation; Below the circumstance that ark height allows, adjust coping height to grow, can put down winter boot.

Feature

Large storage capacity, Each layer can be placed more than 3 pairs of shoe rack. The highly of the frame is adjustable according to the Internal wardrobe with-adjustable fol 200mm.

Material

Modern fashion appearance of the aluminum frame with a new high-purity aluminum alloy material, can ensure the stability of the product.

Installation

The product is suitable for the standard cabinet, the optimum thickness of the cabinet board is 16-18mm.



Shoe Rack

Product Name: Shoe Rack 12 Layers

Model No. - GH - 120805

Colour - Wood

Dimension (mm)	W	D	H
(12 Layers)	700	360	1910-2100

Functional Features

Design

360 degrees revolving; Split-layer design can hold twice as many shoes; Maximize the use of space, choose shoes follow one's inclination.

Function

Cabinet height is no longer limited, no need to change cabinet can be installed. Double-sided convenient rotation pull out, easy rotation; Below the circumstance that ark height allows, adjust coping height to grow, can put down winter boot.

Feature

Large storage capacity, Each layer can be placed more than 3 pairs of shoe rack. The highly of the frame is adjustable according to the Internal wardrobe with-adjustable fol 200mm.

Material

Modern fashion appearance of the aluminum frame with a new high-purity aluminum alloy material, can ensure the stability of the product.

Installation

The product is suitable for the standard cabinet, the optimum thickness of the cabinet board is 16-18mm.





Shoe Rack

Product Name: Shoe Rack HiGold

Model No. - GH - 1405A & 1405B

Colour - Golden

Cabinet	1405A	1405B	
	600 mm	900 mm	
Dimension (mm)	W	D	H
(1405A)	564	460	71
Dimension (mm)	W	D	H
(1405B)	864	460	71

Functional Features

Organise your foot wears in a better way with these pull-out shoe racks.

Ready to use product that can be installed easily in any type of wardrobe.

Easy pullout ensures clear overview of stored item.

In-built soft closing ensures effortless functioning.

Designed for 600 & 900mm wide cabinets



Shoe Rack



Product Name: Shoe Rack

Model No. - GH - 1505A & 1505B

Colour - Grey

Cabinet	1505A		1505B	
	600 mm		900 mm	
Dimension (mm) (1505A)	W	D	H	
	564	460	170	
Dimension (mm) (1505B)	W	D	H	
	864	460	170	

Functional Features

Design

The elegant shoe rack features a high-grade nano-spraying process, offering a sleek and simple aesthetic without compromising on sophistication. Its Graphite Grey color adds a modern touch to any space.

Function

Equipped with fully concealed silent soft-closing slides, the shoe rack ensures smooth and quiet operation, making it easy to organize and access your footwear.

Feature

The width of the frame is adjustable in 50 mm increments, allowing for customization to fit the internal dimensions of different wardrobes. Designed to fit 600 mm and 900 mm wide cabinets, it offers flexibility and convenience.

Material

The shoe rack boasts a contemporary appearance with its Graphite Grey aluminum frame. Made from high-purity aluminum alloy, it ensures the product's stability and durability.

Installation

This shoe rack is designed to fit standard cabinets, with an optimal cabinet board thickness of 16-18 mm for easy installation.



Shoe Rack

Product Name: Shoe Rack

Model No. - GH - 1805A & 1805B

Colour - Mocha

Cabinet	1805A	1805B	
	600 mm	900 mm	
Dimension (mm) (1805A)	W 564	D 465	H 175
Dimension (mm) (1805B)	W 864	D 465	H 175

Functional Features

Design

The elegant shoe rack features a high-grade nano-spraying process, offering a sleek and simple aesthetic without compromising on sophistication. Its Mocha color adds a modern touch to any space.

Function

Equipped with fully concealed silent soft-closing slides, the shoe rack ensures smooth and quiet operation, making it easy to organize and access your footwear.

Feature

The width of the frame is adjustable in 50 mm increments, allowing for customization to fit the internal dimensions of different wardrobes. Designed to fit 600 mm and 900 mm wide cabinets, it offers flexibility and convenience.

Material

The shoe rack boasts a contemporary appearance with its Mocha aluminum frame. Made from high-purity aluminum alloy, it ensures the product's stability and durability.

Installation

This shoe rack is designed to fit standard cabinets, with an optimal cabinet board thickness of 16-18 mm for easy installation.



Shoe Rack



Product Name: Shoe Rack

Model No. - GH - 190601 & 190604

Colour - Wood

Cabinet	190601	190604	
	600 mm	900 mm	
Dimension (mm) (190601)	W	D	H
	564	460	175
Dimension (mm) (190604)	W	D	H
	864	460	175

Functional Features

Design

The elegant shoe rack features a high-grade nano-spraying process, offering a sleek and simple aesthetic without compromising on sophistication. Its wooden color adds a modern touch to any space.

Function

Equipped with fully concealed silent soft-closing slides, the shoe rack ensures smooth and quiet operation, making it easy to organize and access your footwear.

Feature

The width of the frame is adjustable in 50 mm increments, allowing for customization to fit the internal dimensions of different wardrobes. Designed to fit 600 mm and 900 mm wide cabinets, it offers flexibility and convenience.

Material

The shoe rack boasts a contemporary appearance with its wooden frame. Made from high-purity Solid wood, it ensures the product's stability and durability.

Installation

This shoe rack is designed to fit standard cabinets, with an optimal cabinet board thickness of 16-18 mm for easy installation.



Shoe Rack (Leather)



Product Name: Shoe Rack (Leather)

Model No. - GH - 156601 & 156604

Colour - Blue

Cabinet	156601	156604	
	600 mm	900 mm	
Dimension (mm)	W	D	H
(156601)	564	472	197
Dimension (mm)	W	D	H
(156604)	864	472	197

Functional Features

Design

The elegant shoe rack features a high-grade nano-spraying process, offering a sleek and simple aesthetic without compromising on sophistication. Its Blue leather frame adds a modern touch to any space.

Function

Equipped with fully concealed silent soft-closing slides, the shoe rack ensures smooth and quiet operation, making it easy to organize and access your footwear.

Feature

The width of the frame is adjustable in 50 mm increments, allowing for customization to fit the internal dimensions of different wardrobes. Designed to fit 600 mm and 900 mm wide cabinets, it offers flexibility and convenience.

Material

The shoe rack boasts a contemporary appearance with its Blue leather frame. Made from high-quality leather, it ensures the product's stability and durability.

Installation

This shoe rack is designed to fit standard cabinets, with an optimal cabinet board thickness of 16-18 mm for easy installation.





Corner Rotating Basket



Corner Rotating Basket

Product Name: Corner Rotating Basket

Model No. - GH - 1209-1

Colour - Grey

Dimension (mm)	W	D	H
	700	360	900-2100

Functional Features

Design

Solve corner space for you to use the problem, make full use of corner space, make full use of things; No Intermediate partition, easy to take, at a glance

Function

Each layer of built-in bearing device, unique, easy and smooth rotation 360°, The upper and lower layers rotate Independently. The corner space that made the greatest use of chest.

Feature

The height can be adjusted for 200mm, A cabinet suitable for 1900-2100mm height.

Material

The trousers are wrapped with anti skid tube, and the trousers are suspended for a long time without printing, and they are not easy to slide.

Installation

The product is suitable for the standard cabinet, the optimum thickness of the cabinet board is 16-18mm.



Corner Rotating Basket

Product Name: Corner Rotating Basket

Model No. - GH - 1209-3

Colour - Grey

Dimension (mm)	W	D	H
	700	360	900-2100

Functional Features

Design

Solve corner space for you to use the problem, make full use of corner space, make full use of things; No Intermediate partition, easy to take, at a glance.

Function

Each layer of built-in bearing device, unique, easy and smooth rotation 360°, The upper and lower layers rotate Independently. The corner space that made the greatest use of chest.

Feature

The height can be adjusted for 200mm, A cabinet suitable for 1900-2100mm height.

Material

The main body adopts nano dry planting process, with strong anti-rust ability, multi-layer design and powerful storage function.

Installation

The product is suitable for the standard cabinet, the optimum thickness of the cabinet board is 16-18mm.







Decoration Basket



Decoration Basket (Leather)

Product Name: Decoration Basket (Leather)

Model No. - GH - 1517A & 1517B

Colour - Grey



Cabinet	1517A	1517B	
	600 mm	900 mm	
Dimension (mm)	W	D	H
(1517A)	564	460	170
Dimension (mm)	W	D	H
(1517B)	864	460	170

Functional Features

Design

High grade grey and Milan orange match perfectly. Inside quality, outside appearance level, let your wardrobe all the more brilliant, add vitality for furniture.

Function

With the fully concealed silent soft-closing slide, it can be keep the pants rack smooth sliding.

Feature

The frame is made of high-end leather, which can protect clothes more effectively and make daily care very convenient. The width of the frame is adjustable according to the internal wardrobe with-adjustable upto 50mm.

Material

Modern fashion appearance of the aluminum frame with a new high-purity aluminum alloy material, can ensure the stability of the product.

Installation

The product is suitable for the standard cabinet, the optimum thickness of the cabinet board is 16-18mm.



Decoration Basket (Leather)

Product Name: Decoration Basket (Leather)

Model No. - GH - 1817A & 1817B

Colour - Mocha



Cabinet	1817A		1817B	
	600 mm		900 mm	
Dimension (mm) (1817A)	W	D	H	
	564	460	170	
Dimension (mm) (1817B)	W	D	H	
	864	460	170	

Functional Features

Design

This product combines the style of simplicity, originality, with saddle color leather, elegant thread sewing, to ensure the materials and technology, while giving the product a distinctive personality.

Function

With the fully concealed silent soft-closing slide, it can keep the pants rack smooth sliding.

Feature

The frame is made of high-end leather, which can protect clothes more effectively and make daily care very convenient. The width of the frame is adjustable according to the internal wardrobe with-adjustable upto 50 mm.

Material

Modern fashion appearance of the aluminum frame with a new high-purity aluminum alloy material, can ensure the stability of the product.

Installation

The product is suitable for the standard cabinet, the optimum thickness of the cabinet board is 16-18 mm.



Decoration Basket (Glass)

Product Name: Decoration Basket (Glass)

Model No. - GH - 1519A & 1519B

Colour - Grey



Cabinet	1519A	1519B	
	600 mm	900 mm	
Dimension (mm) (1519A)	W	D	H
	564	460	170
Dimension (mm) (1519B)	W	D	H
	864	460	170

Functional Features

Design

High-grade toughened glass is framed by a combination of sleek edges and a Graphite Grey aluminium frame, merging aesthetic appeal with practical strength. This refined design elevates the look of any wardrobe while maximizing storage space.

Function

Equipped with fully concealed silent soft-closing slides, the decorative basket ensures smooth and quiet operation. The width of the frame is adjustable in 50 mm increments, allowing for customization to fit the internal dimensions of different wardrobes.

Feature

The graphite grey metal frame, combined with a black walnut finish, offers a distinctive look. The high-quality toughened glass adds a touch of elegance, making the basket's style versatile and sophisticated.

Material

The decorative basket features a modern, stylish appearance with its Graphite Grey aluminium frame. Made from high-purity aluminum alloy, it ensures the product's stability and durability.

Installation

This basket is designed to fit standard cabinets, with an optimal cabinet board thickness of 16-18 mm for easy installation. It is suitable for 600 mm and 900 mm wide cabinets, providing flexibility and convenience in organizing your clothes.



Decoration Basket (Glass)

Product Name: Decoration Basket (Glass)

Model No. - GH - 1819A & 1819B

Colour - Mocha



Cabinet	1819A		1819B	
	600 mm		900 mm	
Dimension (mm) (1819A)	W	D	H	
	564	460	170	
Dimension (mm) (1819B)	W	D	H	
	864	460	170	

Functional Features

Design

High-grade toughened glass is framed by a combination of sleek edges and a Mocha aluminium frame, merging aesthetic appeal with practical strength. This refined design elevates the look of any wardrobe while maximizing storage space.

Function

Equipped with fully concealed silent soft-closing slides, the decorative basket ensures smooth and quiet operation. The width of the frame is adjustable in 50 mm increments, allowing for customization to fit the internal dimensions of different wardrobes.

Feature

The graphite grey metal frame, combined with a black walnut finish, offers a distinctive look. The high-quality toughened glass adds a touch of elegance, making the basket's style versatile and sophisticated.

Material

The decorative basket features a modern, stylish appearance with its Mocha aluminium frame. Made from high-purity aluminum alloy, it ensures the product's stability and durability.

Installation

This basket is designed to fit standard cabinets, with an optimal cabinet board thickness of 16-18 mm for easy installation. It is suitable for 600 mm and 900 mm wide cabinets, providing flexibility and convenience in organizing your clothes.



Decoration Basket (Wood)

Product Name: Decoration Basket (Wood)

Model No. - GH - 1919B01 & 1919B04

Colour - Wood



Cabinet	1919B01	1919B04	
	600 mm	900 mm	
Dimension (mm) (1919B01)	W 564	D 460	H 175
Dimension (mm) (1919B04)	W 864	D 460	H 175

Functional Features

Design

High-grade toughened glass is framed by a combination of sleek edges and a Mocha aluminium frame, merging aesthetic appeal with practical strength. This refined design elevates the look of any wardrobe while maximizing storage space.

Function

Equipped with fully concealed silent soft-closing slides, the decorative basket ensures smooth and quiet operation. The width of the frame is adjustable in 50 mm increments, allowing for customization to fit the internal dimensions of different wardrobes.

Feature

The graphite grey metal frame, combined with a black walnut finish, offers a distinctive look. The high-quality toughened glass adds a touch of elegance, making the basket's style versatile and sophisticated.

Material

The decorative basket features a modern, stylish appearance with its Mocha aluminium frame. Made from high-purity aluminum alloy, it ensures the product's stability and durability.

Installation

This basket is designed to fit standard cabinets, with an optimal cabinet board thickness of 16-18 mm for easy installation. It is suitable for 600 mm and 900 mm wide cabinets, providing flexibility and convenience in organizing your clothes.



Decoration Basket (Leather)

Product Name: Decoration Basket (Leather)

Model No. - GH - 156301 & 156304

Colour - Blue



Cabinet	156301	156304	
	600 mm	900 mm	
Dimension (mm) (156301)	W	D	H
	564	472	216
Dimension (mm) (156301)	W	D	H
	864	472	216

Functional Features

Design

High-grade toughened glass is framed by a combination of sleek edges and a Blue Leather frame, merging aesthetic appeal with practical strength. This refined design elevates the look of any wardrobe while maximizing storage space.

Function

Equipped with fully concealed silent soft-closing slides, the decorative basket ensures smooth and quiet operation. The width of the frame is adjustable in 50 mm increments, allowing for customization to fit the internal dimensions of different wardrobes.

Feature

The graphite grey metal frame, combined with a black walnut finish, offers a distinctive look. The high-quality toughened glass adds a touch of elegance, making the basket's style versatile and sophisticated.

Material

The decorative basket features a modern, stylish appearance with its Blue Leather frame. Made from high-purity aluminum alloy, it ensures the product's stability and durability.

Installation

This basket is designed to fit standard cabinets, with an optimal cabinet board thickness of 16-18 mm for easy installation. It is suitable for 600 mm and 900 mm wide cabinets, providing flexibility and convenience in organizing your clothes.







Decoration Shelf



Decoration Shelf (Leather)

Product Name: Decoration Shelf (Leather)

Model No. - GH - 1406A & 1406B

Colour - Golden



Cabinet	1406A	1406B	
	600 mm	900 mm	
Dimension (mm)	W	D	H
(1406A)	564	460	71
Dimension (mm)	W	D	H
(1406B)	764	460	71

Functional Features

Organize drawers as desired with flexible drawer partitions.

It can be easily positioned on the side or in the middle of drawer with any combination of your choice.

Ideal for storing multiple items such as jewellery, watches, other accessories etc. (For Wardrobe).



Decoration Shelf (Leather)



Product Name: Decoration Shelf (Leather)

Model No. - GH - 1516A & 1520B

Colour - Grey

Cabinet	1516A		1520B	
	600 mm		900 mm	
Dimension (mm) (1516A)	W	D	H	
	564	460	71	
Dimension (mm) (1520B)	W	D	H	
	864	460	71	

Design

Crafted from high-grade leather with a Graphite Grey frame, this exquisite decoration shelf boasts a meticulous production process and luxurious feel, adding warmth to any living space. Its versatile design complements various styles of clothing and accessories.

Function

Equipped with fully concealed silent soft-closing slides, the shelf ensures smooth and effortless access, making it ideal for storing jewelry, watches, and other accessories.

Feature

The frame width is adjustable in 50 mm increments, allowing for customization to fit the internal dimensions of different wardrobes.

Material

The shelf features a modern, stylish appearance with its Graphite Grey aluminum frame, made from high-purity aluminum alloy, ensuring product stability and durability.

Installation

This shelf is designed to fit standard cabinets, with an optimal cabinet board thickness of 16-18 mm for easy installation.



Decoration Shelf (Leather)

Product Name: Leather Decoration Shelf (Leather)

Model No. - GH - 1820A

Colour - Mocha



Cabinet	1820A	1820B	
	600 mm	900 mm	
Dimension (mm) (1820A)	W	D	H
	564	460	71
Dimension (mm) (1820B)	W	D	H
	864	460	71

Design

Crafted from high-grade leather with a Mocha frame, this exquisite decoration shelf boasts a meticulous production process and luxurious feel, adding warmth to any living space. Its versatile design complements various styles of clothing and accessories.

Function

Equipped with fully concealed silent soft-closing slides, the shelf ensures smooth and effortless access, making it ideal for storing jewelry, watches, and other accessories.

Feature

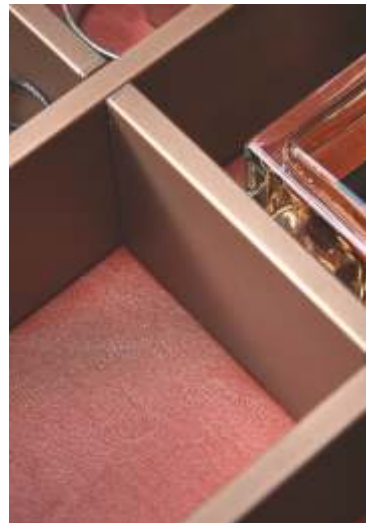
The frame width is adjustable in 50 mm increments, allowing for customization to fit the internal dimensions of different wardrobes.

Material

The shelf features a modern, stylish appearance with its Mocha aluminum frame, made from high-purity aluminum alloy, ensuring product stability and durability.

Installation

This shelf is designed to fit standard cabinets, with an optimal cabinet board thickness of 16-18 mm for easy installation.



Decoration Shelf (Leather)

Product Name: Decoration Shelf (Leather)

Model No. - GH - 156201 & 156204

Colour - Blue



Cabinet	156201	156204	
	600 mm	900 mm	
Dimension (mm) (156201)	W	D	H
	564	472	73
Dimension (mm) (156204)	W	D	H
	864	472	73

Functional Features

Design

Crafted from premium leather, this piece exudes sophistication and elegance, creating a composed and luxurious atmosphere.

Function

Equipped with a fully concealed, silent, soft-closing slide, it ensures smooth and effortless operation.

Feature

The in-built soft-closing mechanism provides effortless functionality. Designed for 600mm and 900mm wide cabinets, it is ideal for storing various types of jewelry, including necklaces, rings, and earrings.

Material

The modern, fashionable appearance is enhanced by high-quality leather, ensuring durability and a refined look.

Installation

Suitable for standard cabinets, the product is optimized for cabinet boards with a thickness of 16-18mm.



Decoration Shelf With (Leather)

Product Name: Decoration Shelf (Leather)

Model No. - GH - 156401 & 156404

Colour - Blue



Cabinet	156401	156404	
	600 mm	900 mm	
Dimension (mm) (156401)	W 564	D 472	H 105
Dimension (mm) (156404)	W 864	D 472	H 105

Functional Features

Design

Composed atmosphere high grade ash and natural environmental protection black walnut perfect match, low-key calm and yi Yiis bright.

Function

With the fully concealed silent soft-closing slide, it can be keep the pants rack smooth sliding.

Feature

In-built soft closing ensures effortless functioning. Designed for 600 & 900mm wide cabinets. Ideal for storing variety of jewellery such as necklaces, rings, earrings or more.

Material

Modern fashion appearance of the aluminum frame with a new high-purity aluminum alloy material, can ensure the stability of the product.

Installation

The product is suitable for the standard cabinet, the optimum thickness of the cabinet board is 16- 18mm



Decoration Shelf (Leather)

Product Name: Decoration Shelf with cover (Leather)

Model No. - GH - 156501 & 156504

Colour - Blue



Cabinet	156501	156504	
	600 mm	900 mm	
Dimension (mm) (156501)	W	D	H
	564	472	105
Dimension (mm) (156504)	W	D	H
	864	472	105

Functional Features

Design

Crafted from high-quality leather, this piece exudes sophistication and durability, creating a composed and elegant atmosphere.

Function

Equipped with a fully concealed, silent, soft-closing slide, it ensures smooth and effortless sliding.

Feature

The in-built soft-closing mechanism enhances functionality. Designed for 600mm and 900mm wide cabinets, it is perfect for storing undergarments, ties, belts, and handkerchiefs.

Material

The modern, fashionable appearance is enhanced by premium leather, ensuring both durability and a luxurious feel.

Installation

Suitable for standard cabinets, the product is optimized for cabinet boards with a thickness of 16-18mm.



Decoration Shelf With Make-Up Box (Leather)

Product Name: Decoration Shelf With Make-Up Box (Leather)

Model No. - GH - 156701 & 156704

Colour - Blue



Cabinet	156701	156704	
	600 mm	900 mm	
Dimension (mm) (156701)	W	D	H
	564	472	73
Dimension (mm) (156704)	W	D	H
	864	472	73

Functional Features

Design

Crafted from high-quality leather, this organizer exudes sophistication and durability, creating a composed and elegant atmosphere.

Function

Equipped with a fully concealed, silent, soft-closing slide, it ensures smooth sliding for effortless access to your makeup and cosmetics.

Feature

The in-built soft-closing mechanism provides seamless functionality. Designed for 600mm and 900mm wide cabinets, it is ideal for storing a variety of makeup and cosmetics such as brushes, palettes, and skincare products.

Material

The modern, fashionable appearance is enhanced by premium leather, ensuring both durability and a luxurious feel.

Installation

Suitable for standard cabinets, the product is optimized for cabinet boards with a thickness of 16-18mm.



Decoration Shelf (Velvet)

Product Name: Decoration Shelf (Velvet)

Model No. - GH - 1507A & 1507B

Colour - Grey



Cabinet	1507A	1507B	
	900 mm	900 mm	
Dimension (mm) (1507A)	W	D	H
	564	460	71
Dimension (mm) (1507B)	W	D	H
	864	460	71

Functional Features

Design

Crafted from luxurious velvet, this piece offers a sophisticated and elegant touch, creating a composed and opulent atmosphere.

Function

Equipped with a fully concealed, silent, soft-closing slide, it ensures smooth and quiet operation.

Feature

The in-built soft-closing mechanism provides effortless functionality. Designed for 600mm and 900mm wide cabinets, it is ideal for storing various types of jewelry such as necklaces, rings, and earrings.

Material

The modern, fashionable appearance is enhanced by premium velvet, ensuring both durability and a plush, luxurious feel.

Installation

Suitable for standard cabinets, the product is optimized for cabinet boards with a thickness of 16-18mm.



Decoration Shelf (Velvet)

Product Name: Decoration Shelf (Velvet)

Model No. - GH - 1807A & 1807B

Colour - Mocha



Cabinet	1807A	1807B	
	600 mm	900 mm	
Dimension (mm) (1807A)	W	D	H
	564	460	71
Dimension (mm) (1807B)	W	D	H
	864	460	71

Functional Features

Design

Natural flocking decorative natural area aesthetic feeling, and Mocha temperament casual revel. Create a sense of luxury and elegance.

Function

With the fully concealed silent soft-closing slide, it can be keep the pants rack smooth sliding.

Feature

The combination of бага and saddle color brings a whole new definition to the wardrobe environment, The width of the frame is adjustable according to the internal wardrobe with-adjustable for 50mm.

Material

Modern fashion appearance of the aluminum frame with a new high-purity aluminum alloy material, can ensure the stability of the product.

Installation

The product is suitable for the standard cabinet, the optimum thickness of the cabinet board is 16- 18mm.



Decoration Shelf

Product Name: Decoration Shelf

Model No. - GH - 1506A & 1506B

Colour - Grey

Cabinet	1506A	1506B	
	600 mm	900 mm	
Dimension (mm) (1506A)	W	D	H
	564	460	71
Dimension (mm) (1506B)	W	D	H
	864	460	83

Functional Features

Design

Crafted from premium aluminium, this piece exudes sophistication and elegance, creating a composed and luxurious atmosphere.

Function

Equipped with a fully concealed, silent, soft-closing slide, it ensures smooth and effortless operation.

Feature

The in-built soft-closing mechanism provides effortless functionality. Designed for 600mm and 900mm wide cabinets, it is ideal for storing various types of jewelry, including necklaces, rings, and earrings.

Material

The modern, fashionable appearance is enhanced by high-quality aluminium, ensuring durability and a refined look.

Installation

Suitable for standard cabinets, the product is optimized for cabinet boards with a thickness of 16-18mm.



Decoration Shelf (Wood)

Product Name: Decoration Shelf (Wood)

Model No. - GH - 1820-A & 1820-B

Colour - Mocha



Cabinet	1820A	1820B	
	600 mm	900 mm	
Dimension (mm) (1820A)	W	D	H
	564	460	71
Dimension (mm) (1820B)	W	D	H
	864	460	71

Functional Features

Design

Crafted from premium wood, this piece exudes sophistication and elegance, creating a composed and luxurious atmosphere.

Function

Equipped with a fully concealed, silent, soft-closing slide, it ensures smooth and effortless operation.

Feature

The in-built soft-closing mechanism provides effortless functionality. Designed for 600mm and 900mm wide cabinets, it is ideal for storing various types of jewelry, including necklaces, rings, and earrings.

Material

The modern, fashionable appearance is enhanced by high-quality wood, ensuring durability and a refined look.

Installation

Suitable for standard cabinets, the product is optimized for cabinet boards with a thickness of 16-18mm.



Decoration Shelf (Wood)

Product Name: Decoration Shelf (Wood)

Model No. - GH - 1920B01 & 1920B04

Colour - Wood



Cabinet	1920B01	1920B04	
	600 mm	900 mm	
Dimension (mm) (1920B01)	W 564	D 460	H 77
Dimension (mm) (1920B04)	W 864	D 460	H 77

Functional Features

Design

Crafted from premium aluminium mocha colour, this piece exudes sophistication and elegance, creating a composed and luxurious atmosphere.

Function

Equipped with a fully concealed, silent, soft-closing slide, it ensures smooth and effortless operation.

Feature

The in-built soft-closing mechanism provides effortless functionality. Designed for 600mm and 900mm wide cabinets, it is ideal for storing various types of jewelry, including necklaces, rings, and earrings.

Material

The modern, fashionable appearance is enhanced by high-quality aluminium mocha colour, ensuring durability and a refined look.

Installation

Suitable for standard cabinets, the product is optimized for cabinet boards with a thickness of 16-18mm.







Looking Mirror For Wardrobe



Looking Mirror For Wardrobe

Product Name: Revolving Mirror

Model No. - GH - 1602

Colour - Steel Grey

Dimension (mm)	W	D	H
(1602)	350	-	1200

Functional Features

Design

The mirror frame is made of Premium Aluminium material, which offers excellent flame retardancy, durability, and resistance to water and pests.

Function

Easy to operate and rotate, the mirror allows for convenient viewing angles without needing to adjust its position. It seamlessly fits into any wardrobe style, enhancing the wardrobe's functionality.

Feature

The mirror's slim design ensures it takes up minimal space, equivalent to a single piece of clothing.

Material

Constructed from high-purity aluminum alloy, the mirror is both tough and stable, with a fashionable appearance.

Installation

The mirror can be installed on either side of the wardrobe, allowing for flexible and personalized placement.



Looking Mirror For Wardrobe

Product Name: Revolving Mirror

Model No. - GH - 160702

Colour - Mocha

Dimension (mm)	W	D	H
(1602)	350	-	1200

Functional Features

Design

The mirror frame is made of Premium Aluminium material, which offers excellent flame retardancy, durability, and resistance to water and pests.

Function

Easy to operate and rotate, the mirror allows for convenient viewing angles without needing to adjust its position. It seamlessly fits into any wardrobe style, enhancing the wardrobe's functionality.

Feature

The mirror's slim design ensures it takes up minimal space, equivalent to a single piece of clothing.

Material

Constructed from high-purity aluminum alloy, the mirror is both tough and stable, with a fashionable appearance.

Installation

The mirror can be installed on either side of the wardrobe, allowing for flexible and personalized placement.



Tie Rack

Product Name: Tie Rack

Model No. - GH - 131001

Colour - Mocha

Dimension (mm)	W	D	H
(131001)	350	-	1200

Functional Features

Design

The tie rack is crafted from high-quality PVC material, offering excellent flame retardancy, durability, and resistance to water and pests.

Function

Easy to operate and rotate, the tie rack allows for convenient access to ties without needing to adjust its position. It seamlessly integrates into any wardrobe style, enhancing the wardrobe's organization.

Feature

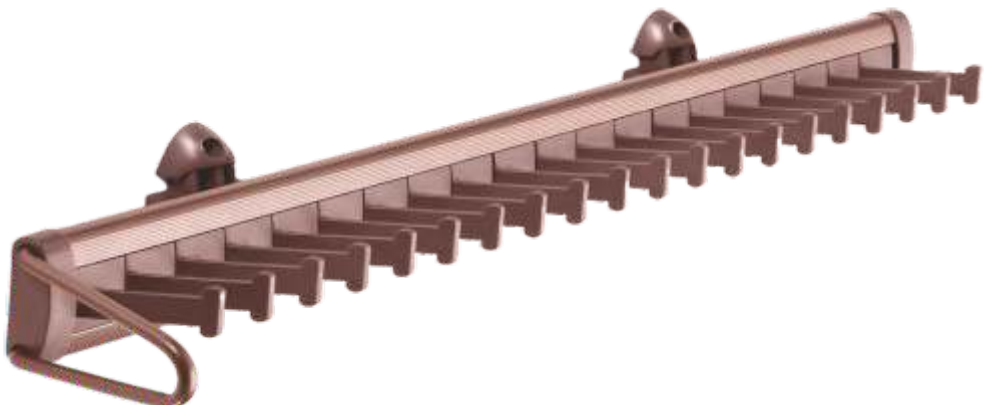
The rack's slim design ensures it takes up minimal space, equivalent to a single piece of clothing.

Material

Constructed from high-purity PVC material, the tie rack is both tough and stable, with a stylish appearance.

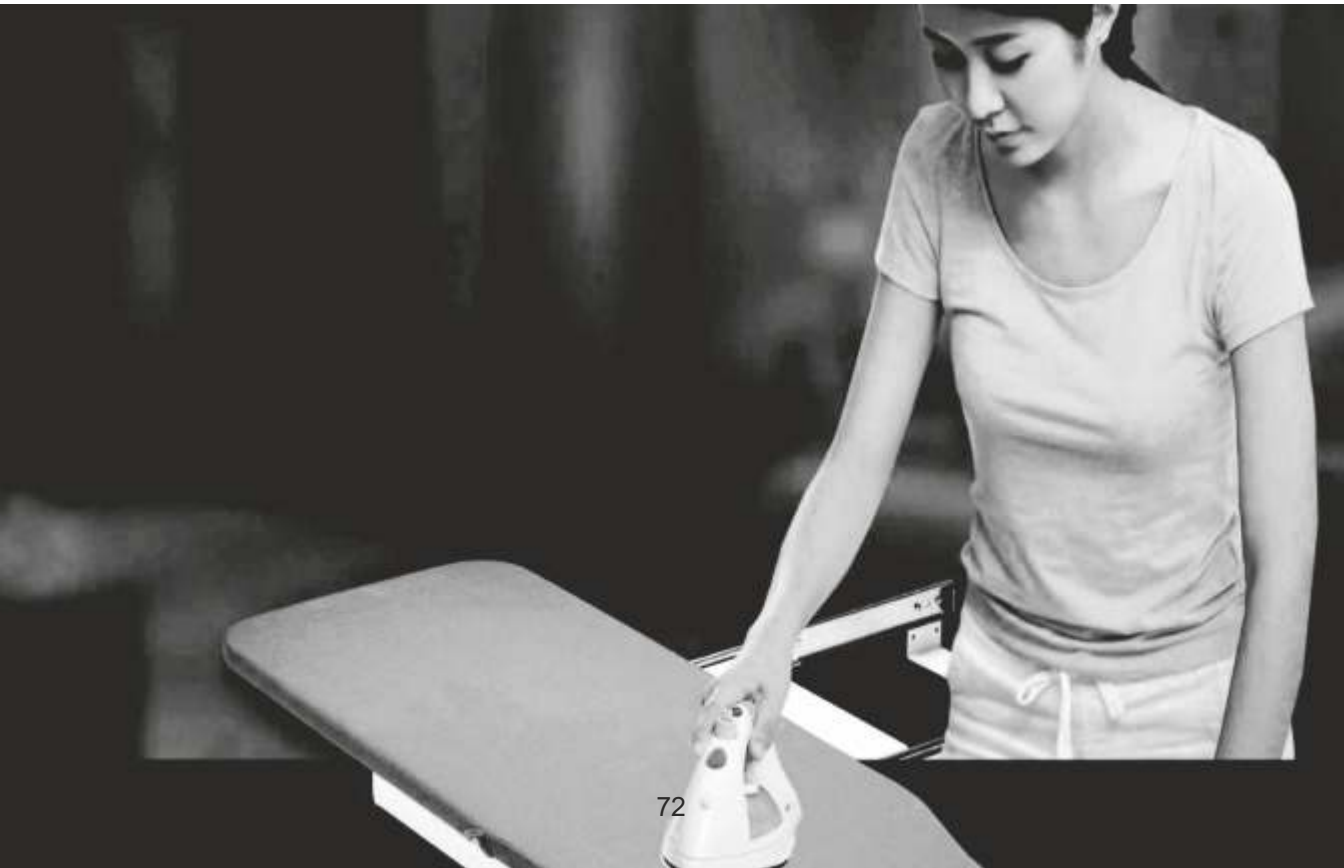
Installation

The tie rack can be installed on either side of the wardrobe, allowing for flexible and personalized placement.





Iron Board



Iron Board

Product Name: Iron Board

Model No. - GH - 1204

Colour - Grey

Dimension (mm)	W	D	H
(1204)	295	430	140

Functional Features

Design

Fashion simple design, reasonable use of space, hidden folding and rotation, use at will, know how to collect, know how to hide, easy to use.

Function

To achieve butter damping effect under the stretch process, set up with high- grade gas spring.

Feature

The product panel can be rotated 90 degrees. Push-pull folding, pull out and turn when used, fold back when not used.

Material

Fine canvas with built-in sponge. Multilayer wood composite plate + stainless steel. ABS plastic: Impact resistance, heat resistance, low temperature resistance, chemical resistance.

Installation

The Installation is simple, convenient and fast, and only a few screws are needed to fix it.





Vaccum Button, Bracket & Hood



Vaccum Button

Product Name: Vaccum Button

Model No. - 803 B Small & 801 Big

Colour - Matt Silver (803B) & Chrome (801)

Dimension (mm)	W	D	H
(1204)	295	430	140

Functional Features

Long Lasting Life.

Easy To Install

Made Of Zinc alloy And plastic

Glass Fitting

Glass Shelf Bracket is It's suitable for all kind of Glass, Board, Wardrobe, Cupboard, Furniture

Strong, Durable , Long Lasting, Rust Free



Bracket

Product Name: Bracket

Model No. - 111 & 112

Colour - 111 SN, 112 CP

Functional Features

Installation Guide (DIY - Do it Yourself) can be referred for easy installation, necessary screws & wall-plugs are provided in the package

Cleaning instructions: Wipe with a soft, dry or slightly damp cloth to protect finish, avoid the use of household chemical cleaning agents.



Bracket

Product Name: Bracket

Model No. - 103C

Colour - AP & CP

Functional Features

Installation Guide (DIY - Do it Yourself) can be referred for easy installation, necessary screws & wall-plugs are provided in the package

Cleaning instructions: Wipe with a soft, dry or slightly damp cloth to protect finish, avoid the use of household chemical cleaning agents.



Colour - AP



Colour - CP

Bracket

Product Name: Bracket

Model No. - GH-121-16

Colour - GP & CP

Functional Features

Perfect for fixing curtains pole directly inside the two recess brackets, or onto adjacent walls if there is limited or no space above or beside the windows.

Simple design, decorates your curtain rod, makes it neat and fashionable.



Hooks

Product Name: Hooks

Model No. - 301

Colour - CP, GP & AC

Functional Features

Material: These heavy duty dual prong hooks are made of good quality zinc die cast material, the screws are made of iron, it can easily hold up to 40 lbs of weight. Hard and durable, can widely support coat, scarf, umbrella, bag, towel, key, hat, cup as well as Christmas socks and Christmas wreath

Easy for installation



Hooks

Product Name: Hooks

Model No. - 304

Colour - BK, PN

Functional Features

Multiple Applications: These retro hooks design with double hooks, perfect for use in bathroom, bedroom, closet, foyer, entryway, fence hanging towels, coat, hats, purse, jackets, robe, back packs. (DIY) pellet coat rack, and make them easy to find. These double hooks is a good way to store your space

Easy to Install - They fit on wood, drywall, wall stud and other wall types neatly and quickly. Comes with necessary hardware.



Colour - BK



Colour - PN





Digital Locker



Digital Locker

Product Name: Digital Locker

Model No. - ZX-8901

Colour - Metal Colour - Black & Grey

Cloth Colour - Red

Big Size (mm)	W	D	H
	580	400	150
Small Size (mm)	W	D	H
	450	400	150

Functional Features

Design

The Internal Installed external battery design, the replacement of the battery more convenient, effective prevention of leakage.

Function

Digital password control switch. The side mounted external manual key is convenient for manual opening.

Feature

Hidden in the drawer safe, embedded installation, touch-t type digital keys, Anquanzhishu, guard your valuables.

Material

Iron/Leather

Installation

The installation is simple, convenient and fast, and only a few screws are needed to fix it.



Digital Locker (Leather)

Product Name: Digital Locker (Leather)

Model No. - ZX-8901

Colour - Grey, Orange

Big Size (mm)	W	D	H
	580	400	150

Functional Features

Design

The Internal Installed external battery design, the replacement of the battery more convenient, effective prevention of leakage.

Function

Digital password control switch. The side mounted external manual key is convenient for manual opening.

Feature

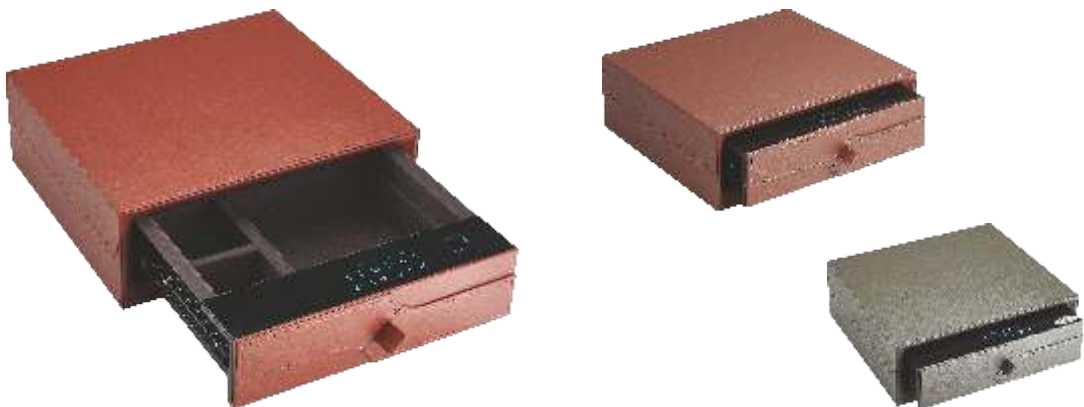
Hidden In the drawer safe, embedded installation, touch-t type digital keys, Anquanzhishu, guard your valuables.

Material

Iron/Leather

Installation

The installation is simple, convenient and fast, and only a few screws are needed to fix it.





Kitchen Catalogue





Quadro Slides



Metro Quadro Slide

Product Name - **Metro Quadro Slides**

With 3D Connector

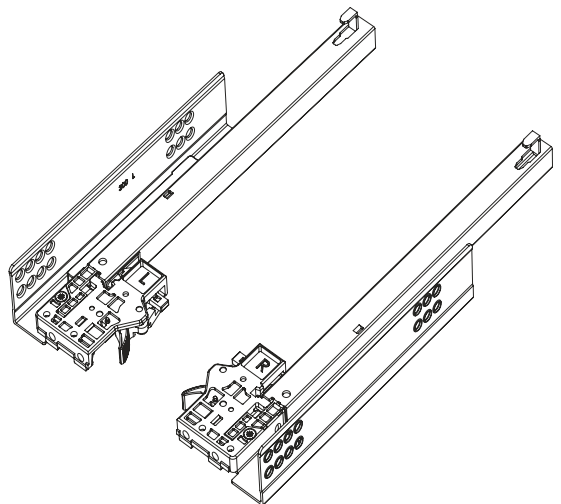
Sizes: 300 mm to 500 mm

Load Capacity- 35 kgs

Functional Features

Concealed runners Precision as a matter of principle The perfection of Quadro runners is unmatched. Quadro is as ingenious as the ball bearing

Adding value, it can be combined and endless precision culminating in perfection Four independent rows of steel balls with perfect precision. Invisible top technology for the best in furniture



Gvi Quadro Slides

Product Name - **GVI Quadro Slides**

With 3D Connector

Sizes: 300 mm to 600 mm

Load Capacity- 35 kgs

Functional Features

Full extension with soft close and tool free assembly and removal of drawers



Push Open

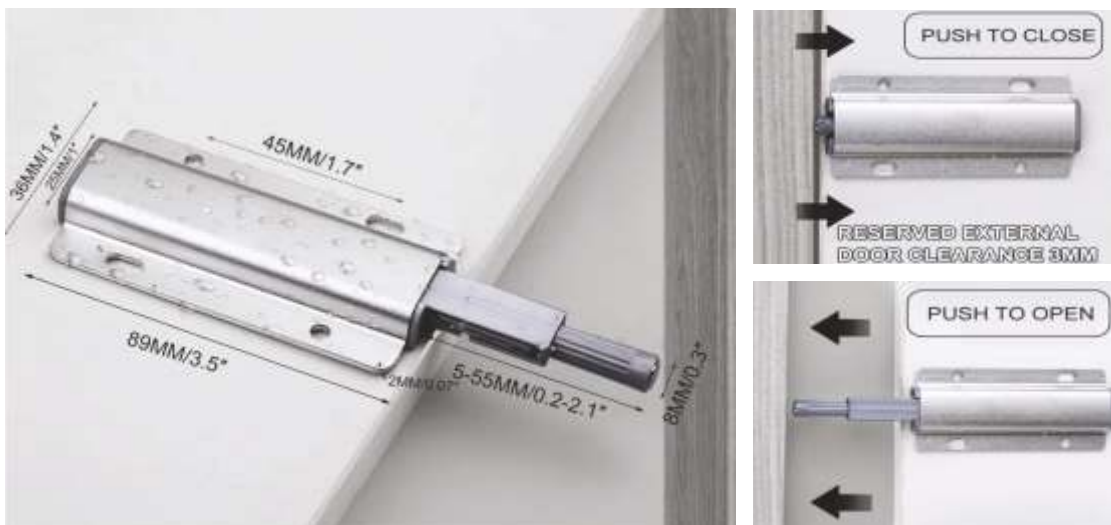
Product Name - **Push Open (SS+PVC)**

Model No. - 02C

Material - SS + PVC

Functional Features

It can replay the cabinet pulls, just push. it to open & push it to close the cabinet. Ideal for kitchen & bathrooms. Protect your doors from slamming. Very easy to install



PVC Skirting For Kitchen

Product Name - **PVC Skirting For Kitchen**

Colour - Silver & Black

Material - PVC

Width - 100 mm

Functional Features

Easy to remove and fit, having load capacity of 18kgs. These accessories are designed to suit wardrobe width of 450mm & 900mm



Wall Hanging With LED Light

Product Name – **Wall Hanging with LED Light**

Product Code	CV 4367/4413		
Size	600 mm Skin	900 mm Skin	1200 mm Skin
Color	Black/Grey		
Power Supply	36 Watt	60 Watt	

Features

A wall hanging stand with LED lights is a decorative and functional item designed to display objects such as photographs, artwork, or decorative items while providing illumination.

LED Lights

Built-in LED lights offer energy-efficient, long-lasting illumination, often with dimmable settings for adjustable brightness.

Adjustable Light Temperature

Users can adjust the light temperature to create the desired ambiance, such as warm yellow for a cozy atmosphere or cool white for a modern look.

Versatile Display

These stands can accommodate various objects, with adjustable height and angle for the perfect display effect.

Modern Design:

Featuring a sleek and slim profile, the stands complement displayed objects without distraction.

Cost-Effective

Providing an affordable way to display objects and enhance room ambiance, these stands eliminate the need for expensive lighting fixtures.

Overall, a wall hanging stand with LED lights offers a stylish, functional, and cost-effective solution for displaying items and adding ambiance to home decor.





Hinges



GVI Corner Hinges

Product Name- **GVI Hydraulic Corner 175°**
GVI Corner Hinges 165°

Weight - 200 grams

Functional Features

Degree of Opening

The hydraulic corner allows the cabinet door to open up to a 175-degree angle. This wide opening angle provides easy access to the cabinet contents, making it convenient for storage and retrieval of items.

Durability and Longevity

Hydraulic corners are typically designed to be durable and long-lasting. They are constructed from high-quality materials such as metal alloys, ensuring that they can withstand the repetitive opening and closing of the cabinet door over an extended period.



GVI Pie Hinges

Product Name- **GVI Pie Hinges**

Weight - 80 grams

Functional Features

Self-Closing Mechanism

Auto hinges are equipped with a built-in self-closing mechanism. When the cabinet door is pushed to a certain angle, the hinge automatically engages and gently closes the door, ensuring it remains securely shut without the need for manual effort.

Durability and Longevity

Auto hinges are typically made from durable materials such as metal alloys, ensuring their longevity and ability to withstand regular use. The materials used in their construction contribute to their durability and reliability.



Clip On MS Hinges

Product Name: **Clip On MS Hinges**

Dimensions	2D (Light)	2D (Heavy)	3D (Heavy)
Weight	180 grams	240 grams	220 grams

Functional Features

Clip-on Design

Clip-on hinges are designed for easy installation and removal. They typically consist of two parts: a mounting plate that attaches to the cabinet and a hinge arm that clips onto the mounting plate. This clip-on design allows for quick and simple attachment and detachment of the hinge without the need for screws or tools.

Soft Closing

Many clip-on MS hinges incorporate a soft-closing mechanism. When the cabinet door is pushed to a certain angle, the hinge engages and slows down the door's movement, preventing it from slamming shut. This feature reduces noise, protects the door from damage, and adds a touch of refinement to the cabinet.



GVI Slide On Hinges

Product Name- **GVI Auto Hinges**

Weight - 145 grams



Clip On SS Hinges

Product Name: **Clip On SS Hinges**

2D (Light) - 180 grams

2D (Heavy) - 240 grams

3D (Heavy) - 220 grams

Functional Features

Stainless Steel Construction

Clip-on SS hinges are made from stainless steel (SS), a durable and corrosion-resistant material. Stainless steel ensures the hinges can withstand the rigors of everyday use, resist rust and tarnish, and maintain their functionality and appearance over time.

Wide Compatibility

Clip-on SS hinges are available in various sizes and configurations to accommodate different cabinet door sizes, weights, and materials. They are designed to be compatible with a range of cabinet types, including kitchen cabinets, wardrobes, and display cabinets.



LED Light for Hinges

Hot Selling

Product Name- **Lighting Hinges**

Light Beed - LED

Life Time - Fifteen Thousand Hours

Battery - 23A 12V

Principle - Use instantaneous power battery system, Switch could be adjust front and back

Make sure light off when door close.

The switch is turn on when door open.



* Separate Batteries also available



Tandem Box



GVI Slim Tandem Box

Product Name: **GVI Slim Tandem Box**

Size - 4", 6", 8"

Colour - Graphite Grey

Features

- Quite and smooth sliding performance
- Quick installation and dismantle
- Smooth running mechanism



Metro Slim Tandem Box

Product Name: **Metro Slim Tandem Box**

Size - 4", 6", 8"

Colour - Graphite Grey

Features

Suitable for all types of applications including kitchens, wardrobe, living rooms and office furniture.

Drawer width can be designed freely with automatic error adjustment.



GVI Tandem Box

Product Name: **GVI Tandem Box**

Size - 300 mm to 600 mm

Colour - Grey & White

Features

Minimal opening forces and an even smoother transition to the feather-light glide ensure that pull-outs and drawers open with ultimate ease.

Drawer side and cabinet profile components have been further refined to optimise the feather-light glide and deliver even smoother running characteristics.



Metro Tandem Box

Product Name: **Metro Tandem Box**

Size - 300 mm to 600 mm

Colour - Grey & White

Features

For building the ideal kitchen, pick tandem boxes of the highest construction quality, such as sturdy frames, door and drawer fronts. When choosing boxes, prioritize functionality and cost-effectiveness over aesthetics and design if the tandem boxes won't be in use for an extended period of time. These parameters will decide how appealing as well as useful these models are for customers







Telescopic Channel



GVI Gold 5 Balls

Product Name: **GVI Gold 4 Balls**

Size	10" to 24"	30"
Weight	70 grams per inch	

Features

- Precision ball bearing with full extension of drawer
- Full extension for reach to the back of the drawer
- Dual rear springs for pulling heavy drawers shut



GVI Italy 4 Balls

Product Name: **GVI Italy 4 Balls**

Size	10" to 24"	30"
Weight	60 grams per inch	

Features

- Finish: SS 304
- Precision of drawer
- Removable drawer with Latch



GVI Ultra 6 Balls

Product Name: **GVI Ultra 6 Balls**

Size	10" to 20"
Weight	75 grams per inch

Features

Ball-bearing slide from GVI - Smoothly running, strong and indestructible

Drawer can be unlatched from runner to make easy installation and Re-installation
Loading capacity: 35 Kgs



GVI Soft Close Channel

Product Name: **GVI Soft Closing Channel**

Size	12" to 20"
Weight	70 grams per inch

Features

- Soft-closing function built in slide, easy for installation
- Non-handed Disconnect Release
- Load Capacity: 35 Kgs



GVI Italy Heavy & Lux Casa

Product Name: **GVI Italy Heavy, Lux Casa**

Size	10" to 20"
Weight	75 grms per inch

Features

- Precision telescopic slides with full extension of drawer
- Direct fitting from front
- Load Capacity: 35 Kgs

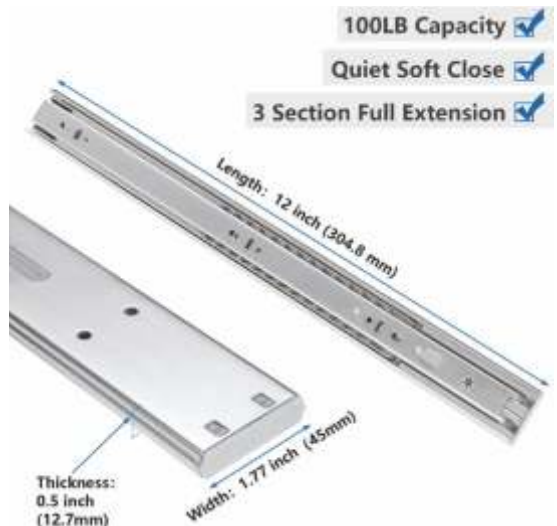


Solid Ball Bearing

Homdify drawer slides are equipped solid ball on both side. Not easy to fall or break, make slide work smooth.

Stable Two Strong Spring

With High strength performance Spring, our slides work more efficient.





Cabinet Support



Cabinet Shocker K 19

Product Name: **Cabinet Shocker K 19**

Capacity - 8kg, 15kg

Features

Weight Capacity:

The cabinet supports you mentioned are designed to handle specific weight capacities. The 8kg support is intended for cabinets weighing up to 8 kilograms, while the 15kg support is meant for cabinets weighing up to 15 kilograms. It's essential to choose the appropriate support based on the weight of your cabinet.

Material and Construction:

Cabinet supports are typically made from durable materials such as steel or high-quality plastic. The construction should be robust and reliable to ensure long-lasting performance.



Cabinet Support G 126

Product Name: **Cabinet Support G 126**

Capacity - 6kg

Features

The cabinet support should provide smooth and effortless opening and closing of the cabinet doors. Look for supports with mechanisms that prevent sudden slamming or accidental closing of the cabinet doors.

Ensure that the heavy cabinet support is durable and stable. It should be able to handle the weight of the cabinet without sagging or causing any structural issues. Look for supports with a solid build and positive customer reviews regarding durability.



Cabinet Support G 125 Heavy

Product Name: **Cabinet Support G 125 Heavy**

Capacity - 8-9 Kg, 10-11 Kg, 11-12 Kg

Features

The bi-fold system should be specifically designed to handle heavy loads. Look for a system with a high weight capacity that can accommodate the weight of your cabinet doors.

A high-quality bi-fold system should provide smooth and effortless operation when opening and closing the doors. It should have smooth gliding mechanisms or hinges that allow the doors to move without sticking or binding



Cabinet Support Q-3

Product Name: **Cabinet Support Q-3**

Finish - Nickle

Features

The cabinet supports should have a weight capacity that is appropriate for the specific weight of your kitchen cabinet. It is important to choose supports that can handle the weight to ensure stability and prevent damage.

Cabinet supports are typically made from materials such as steel, aluminum, or high-quality plastic. The construction should be sturdy and durable to withstand the weight of the cabinet and regular use.



Cabinet Support Q-1

Product Name: **Cabinet Support Q-1**

Finish - Nickle

Features

Look for cabinet supports that are easy to install. They should come with clear instructions and include all the necessary hardware for mounting. Some supports may require additional tools like screws or brackets for proper installation.

The cabinet supports should provide smooth and effortless opening and closing of the cabinet doors. They should have mechanisms that prevent sudden slamming or unintentional closing of the cabinet doors.



Cabinet Support Q-4

Product Name: **Cabinet Support Q-4**

Finish - Chrome

Features

Ensure that the cabinet supports are durable and can withstand daily use over an extended period. They should be stable enough to support the weight of the cabinet without sagging or causing any structural issues.

Safety is important, especially in the kitchen. Look for cabinet supports with safety features like soft-closing mechanisms or dampeners to prevent fingers from getting caught and to minimize noise when closing the cabinet doors.



Cabinet Support Q 316

Product Name: **Cabinet Support G 316**

Capacity - 4 Kg

Features

The cabinet support should have a weight capacity of at least 4kg to safely support the weight of your cabinet. It's important not to exceed the weight limit to ensure stability and avoid potential damage.

Look for a cabinet support made from durable materials like steel or high-quality plastic. The construction should be sturdy and reliable, able to withstand the weight of the cabinet and regular use.



Cabinet Support G 127

Product Name: **Cabinet Support G 127**

Capacity - 4 Kg

Features

Select a cabinet support that is easy to install. It should come with clear instructions and include all the necessary hardware for mounting. Make sure it doesn't require complicated tools or expertise for installation.

The cabinet support should provide smooth and effortless opening and closing of the cabinet doors. Look for supports with mechanisms that prevent sudden slamming or accidental closing of the cabinet doors.







Bottle Pull Out



Bottle Pull Out (Glass)

Product Name: **Bottle Pull Out (Glass)**

Finish - Chrome

Dimension	W	D	H
150 mm	102	429	486
Dimension	W	D	H
200 mm	152	429	486
Dimension	W	D	H
250 mm	202	429	486
Dimension	W	D	H
300 mm	252	429	486

Functional Features

It is used to store a variety of kitchen supplies for different purposes, with perfect shape design, Reasonable structural coordination makes this product suitable for all kinds of consumer groups. A variety of guide rails of different levels can be freely selected.

Idea

The integrated overall design is conducive to tidy storage of cumbersome cooking supplies Set, more characteristic support design, make every push and pull feel more stable.

Storage

It is recommended to store a variety of knives, knife boards, seasoning supplies, wine supplies, Cooking supplies, chopsticks, etc.

Quality

The substrate is made of high-quality tempered glass and aluminum profiles and the structural parts are made of ABS Perfect assembly process, fingerprint-free surface treatment, durable and environmentally friendly healthy.



Bottle Pull Out (Satin)

Product Name: **Bottle Pull Out (Satin)**

Finish - ss

Dimension	W	D	H
150 mm	102	429	486
Dimension	W	D	H
200 mm	152	429	486
Dimension	W	D	H
250 mm	202	429	486
Dimension	W	D	H
300 mm	252	429	486

Functional Features

It is used to store a variety of kitchen supplies for different purposes, with perfect shape design, Reasonable structural coordination makes this product suitable for all kinds of consumer groups. A variety of guide rails of different levels can be freely selected.

Idea

The integrated overall design is conducive to tidy storage of cumbersome cooking supplies Set, more characteristic support design, make every push and pull feel more stable.

Storage

It is recommended to store a variety of knives, knife boards, seasoning supplies, wine supplies, Cooking supplies, chopsticks, etc.

Quality

The base material is stamped and bent with food grade stainless steel, and the structural parts are made of ABS; Perfect assembly process, finger print-free surface treatment, durable and environmentally friendly healthy.



Bottle Pull Out (Grey)

Product Name: **Glass Bottle Pull Out (Grey)**

Finish - Graphite Grey

Dimension	W	D	H
200 mm	152	429	486
Dimension	W	D	H
250 mm	202	429	486
Dimension	W	D	H
300 mm	252	429	486

Functional Features

It is used to store a variety of kitchen supplies for different purposes, with perfect shape design, Reasonable structural coordination makes this product suitable for all kinds of consumer groups. A variety of guide rails of different levels can be freely selected.

Idea

The integrated overall design is conducive to tidy storage of cumbersome cooking supplies Set, more characteristic support design, make every push and pull feel more stable.

Storage

It is recommended to store a variety of knives, knife boards, seasoning supplies, wine supplies, Cooking supplies, chopsticks, etc.

Quality

The substrate is made of high-quality tempered glass and aluminum profiles, and the structural parts are made of ABS perfect assembly process, fingerprint-free surface treatment, durable and environmentally friendly healthy.



Bottle Pull Out (HiGold)

Product Name: **Bottle Pull Out (HiGold)**

Finish - Chrome

Size	W	D	H
200 mm	152	429	486

Size	W	D	H
300 mm	252	429	486

Functional Features

It is used to store a variety of kitchen supplies for different purposes, with perfect shape design, Reasonable structural coordination makes this product suitable for all kinds of consumer groups. A variety of guide rails of different levels can be freely selected.

Idea

The integrated overall design is conducive to tidy storage of cumbersome cooking supplies Set, more characteristic support design, make every push and pull feel more stable.

Storage

It is recommended to store a variety of knives, knife boards, seasoning supplies, wine supplies, Cooking supplies, chopsticks, etc.

Quality

The substrate is made of high-quality tempered glass and aluminum profiles, and the structural parts are made of ABS Perfect assembly process, fingerprint-free surface treatment, durable and environmentally friendly healthy.



Bottle Pull Out (Iron Grey)



Product Name: **Bottle Pull Out (Iron Grey)**

Finish - Iron + ABS + High-end hidden + Damping Slide

Cabinet	236702	236703	236704
	200 mm	250 mm	300 mm
Dimension (mm)	W	D	H
236702	158	461	603
Dimension (mm)	W	D	H
236703	208	461	603
Dimension (mm)	W	D	H
236704	258	461	603

Functional Features

It is used to store a variety of kitchen supplies for different purposes, with perfect shape design, Reasonable structural coordination makes this product suitable for all kinds of consumer groups. A variety of guide rails of different levels can be freely selected.

Idea

The integrated overall design is conducive to tidy storage of cumbersome cooking supplies Set, more characteristic support design, make every push and pull feel more stable.

Storage

It is recommended to store a variety of knives, knife boards, seasoning supplies, wine supplies, Cooking supplies, chopsticks, etc.

Quality

The substrate is made of high-quality tempered glass and aluminum profiles, and the structural parts are made of ABS perfect assembly process, fingerprint-free surface treatment, durable and environmentally friendly healthy.





Cabinet

Drawer Basket



Cabinet Drawer Basket With Accessories

Product Name: **Cabinet Drawer**

Basket With Accessories

Material - SS

Finish - SS

Model No.	GH 041600	GH 041900	
	600 mm	900 mm	
Dimension (mm)	W	D	H
(041600)	564	446	181
Dimension (mm)	W	D	H
(041900)	864	446	181

Functional Features

Make full use of the height space of the floor cabinet to layer the daily necessities in the kitchen, increasing the The floor cabinet drawers have multiple storage functions. Classified storage of various sizes is not necessarily Easy access to kitchen supplies

Idea

The integrated overall design is tailor-made for kitchens, with sleek lines. The atmospheric and beautiful design makes the combination of the basket and the cabinet more perfect. The unique structural design makes the process of opening and pulling out smooth and quiet.

Storage

It is recommended to store bowls, plates, chopsticks, small knives, etc.

Quality

The base material is stamped and bent with food-grade stainless steel, and the structural parts are made of ABS. Perfect assembly process, fingerprint-free surface treatment, durable and environmentally friendly healthy.



Cabinet Drawer Basket Without Accessories

Product Name: Cabinet Drawer Basket

Basket With Accessories

Material - SS

Finish - SS

Model No.	GH 051600	GH 051900	
	(600 mm)	(900 mm)	
Dimension (mm) (051600)	W	D	H
	564	446	181
Dimension (mm) (051900)	W	D	H
	864	446	181

Functional Features

Store all kinds of large kitchen items, and can be selected according to different cabinets. Different specifications, free to choose a variety of different levels of guide rail Idea - The reasonable visual design of the basket body highlights the beauty of the overall cabinet. The characteristic structural design idea greatly facilitates various items.

Storage

It is recommended to store larger volume items, such as utensils, tableware, and daily necessities

Quality

The base material is stamped and bent with food-grade stainless steel, and the structural parts are made of ABS. Perfect assembly process, fingerprint-free surface treatment, durable and environmentally friendly healthy.



Mini Fix

Product Name: **Mini Fix**

Material - Iron, Zinc

Functional Features

- Easy and rapid installation.
- Half turn locking
- Made out of steel for strength and durability.





GTPT (Dish Rack)



GTPT (Disk Rack)

Product Name: **Dish Rack**

Material - SS

Model No. GH 016000 Dimension (600mm)	W	D	H
	565	280	65
Model No. GH 017000 Dimension (700mm)	W	D	H
	665	280	65
Model No. GH 018000 Dimension (800mm)	W	D	H
	765	280	65
Model No. GH 019000 Dimension (900mm)	W	D	H
	865	280	65
Model No. GH 0110000 Dimension (1000mm)	W	D	H
	965	280	65

Functional Features

Make full use of the space on the counter top and rationally use condiments, knives, etc, Products are classified and stored to provide more convenience for the storage of kitchen supplies. It provides more powerful help for the integrity and regularity of the entire kitchen.

Idea

Reasonable industrial design concept, in line with the design method required by ergonomics style, make full use of space, and integrate trivial kitchen items into one. It makes the whole counter top more concise and beautiful.

Storage

It is recommended to store a variety of knives, knife boards, seasoning supplies, wine supplies, cooking supplies, chopsticks, etc.

Quality

The base material is made of food-grade stainless steel stamping and bending, and the structural parts are made of ABS. Perfect assembly process, fingerprint-free surface treatment, durable and environmentally friendly Surface.





Elevator Basket



Elevator Basket (Wire)

Product Name: Elevator Basket (Wire)

Model No:

GH 060460N 600 mm

GH 060490N 900 mm

Finish - SS matt

Model No. GH 060460N (Heavy) Dimension (600mm)	W 564	D 278	H 521
Model No. GH 060490N (Heavy) Dimension (900mm)	W 864	D 278	H 521

Functional Features

Strengthen the efficiency of kitchen space, overcome the potential safety hazards of tr all cabinets, and It will be stored. Get rid of height problems.

Idea

The lifting force is adjustable, and the superhuman intelligent design is convenient and safe for the family. Complete and configurable.

Storage

It is recommended to store infrequently used utensils, snacks, dishes, dried fruits, drinks, etc. thing.

Quality

Reinforced lifers allow for worry-free use, and high-quality steel trays are built to last.



Elevator Basket (Satin)

Product Name: Elevator Basket (Satin)

Model No:

GH 050600 600 mm

GH 050900 900 mm

Finish –SS Matt

Model No. GH 050600 Dimension (600mm)	W 564	D 278	H 521
Model No. GH 050900 Dimension (900mm)	W 864	D 278	H 521

Functional Features

Strengthen the efficiency of kitchen space, overcome the potential safety hazards of traditional wall cabinets, and it will be stored. Get rid of height problems.

Idea

The lifting force is adjustable, and the superhuman intelligent design is convenient and safe for the family. Complete and configurable.

Storage

It is recommended to store infrequently used utensils, snacks, dishes, dried fruits, drinks, etc. thing.

Quality

Reinforced lifters allow for worry-free use, and high-quality steel trays are built to last.



Elevator Basket (Grey)

Product Name: Elevator Basket (Grey)

Finish - Grey

Model No. GH 050600 Dimension (600mm)	W 564	D 280	H 550
Model No. GH 050900 Dimension (900mm)	W 864	D 280	H 550

Functional Features

Strengthen the efficiency of kitchen space, overcome the potential safety hazards of tr all cabinets, and It will be stored. Get rid of height problems.

Idea

The lifting force is adjustable, and the superhuman intelligent design is convenient and safe for the family. Complete and configurable.

Storage

It is recommended to store infrequently used utensils, snacks, dishes, dried fruits, drinks, etc. thing.

Quality

Reinforced lifers allow for worry-free use, and high-quality steel trays are built to last.



Elevator Basket (Glass)

Product Name: Elevator Basket (Glass)

Model No:

GH 050600 600 mm

GH 050900 900 mm

Finish - Glass

Model No. GH 050600 Dimension (600mm)	W	D	H
	564	278	521
Model No. GH 050900 Dimension (900mm)	W	D	H
	864	278	521

Functional Features

Strengthen the efficiency of kitchen space, overcome the potential safety hazards of traditional wall cabinets, and it will be stored. Get rid of height problems.

Idea

The lifting force is adjustable, and the superhuman intelligent design is convenient and safe for the family. Complete and configurable.

Storage

It is recommended to store infrequently used utensils, snacks, dishes, dried fruits, drinks, etc. thing

Quality

Reinforced lifters allow for worry-free use, and high-quality steel trays are built to last.



Elevator Basket (Iron Grey)

Ultra
Luxe

Product Name: Elevator Basket (Iron Grey)

Model No:

GH 220401 600mm

GH 220404 900mm

Material- Iron + ABS + Aluminum

Finish - Iron Grey

Model No. GH 220401 Dimension (600mm)	W 562	D 265	H 546
Model No. GH 220404 Dimension (900mm)	W 862	D 265	H 546

Functional Features

Strengthen the efficiency of kitchen space, overcome the potential safety hazards of traditional wall cabinets, and it will be stored. Get rid of height problems.

Idea

The lifting force is adjustable, and the superhuman intelligent design is convenient and safe for the family. Complete and configurable.

Storage

It is recommended to store infrequently used utensils, snacks, dishes, dried fruits, drinks, etc. thing

Quality

Reinforced lifters allow for worry-free use, and high-quality steel trays are built to last.



Double Dustbin

Product Name: Double Basket Dustbin

Model No: GH-14000

Material: ABS

Dimension (mm)	W	D	H
	480	250	370

Functional Features

- This smart waste bin is designed for the ultra-modern kitchen.
- This bin mounts on the floor of the cabinet and can be pulled out.
- Full extension slides provided for easy access of the buckets.
- Quick and easy installation under every kind of sink.







Magic Corner



Magic Corner (Universal)

Product Name: **Universal (Left/Right) Magic Corner**

Material - Satin

Suitable cabinet size (mm) - 900-1000/900-1000

Dore width (mm)

450/450

Dimension (W x D x H):

525x448 (860-900) (L)

525x448 (860-900) (R)

Functional Features

Make full use of the corner position, the design of split linkage, the basket can be lowered and pulled out. Outside the cabinet, it is extremely convenient for kitchen use.

Idea

Reasonable split linkage design, you can freely choose the basket you need to use. The basket body can be applied to different storage requirements, which greatly facilitates the user's kitchen room experience.

Storage

It is recommended to store infrequently used utensils, small appliances, dishes, dried fruits, seasonings Supplies and other items.

Quality

The base material is stamped and bent with food-grade stainless steel, and the structural parts are made of ABS. Perfect assembly process, fingerprint-free surface treatment, durable and environmentally friendly healthy.



Magic Corner (4 Way)

Product Name: **Magic Corner (Graphite Grey) (4 Way)**

Material - Graphite Grey

Suitable cabinet size (mm) - 900-1000/900-1000

Dore width (mm) - 450/450

Dimension (Wx D x H):

525x448 (860-900) (L)

525x448 (860-900) (R)

Functional Features

Make full use of the corner position, the design of split linkage, the basket can be lowered and pulled out Outside the cabinet, it is extremely convenient for kitchen use.

Idea

Reasonable split linkage design, you can freely choose the basket you need to use. The basket body can be applied to different storage requirements, which greatly facilitates the user's kitchen room experience.

Storage

It is recommended to store infrequently used utensils, small appliances, dishes, dried fruits, seasonings Supplies and other items.

Quality

The base material is stamped and bent with food- grade stainless steel, and the structural parts are made of ABS. Perfect assembly process, fingerprint-free surface treatment, durable and environmentally friendly healthy.



Magic Corner (4 Way)

Product Name: **Magic Corner (Glass) (4 Way)**
(Left/Right)

Material - Glass

Suitable Cabinet Size (mm) - 900-1000/900-1000

Dore Width (mm) - 450/450

Dimension (w X D x H):

525x448 (860-900) (L)

525x448 (860-900) (R)

Functional Features

Make full use of the corner position, the design of split linkage, the basket can be lowered and pulled out Outside the cabinet, it is extremely convenient for kitchen use.

Idea

Reasonable split linkage design, you can freely choose the basket you need to use. The basket body can be applied to different storage requirements, which greatly facilitates the user's kitchen room experience.

Storage

It is recommended to store infrequently used utensils, small appliances, dishes, dried fruits, seasonings Supplies and other items.

Quality

The base material is stamped and bent with food-grade stainless steel, and the structural parts are made of ABS. Perfect assembly process, fingerprint-free surface treatment, durable and environmentally friendly healthy.



Magic Corner (4 Way)

Ultra
Luxe

Product Name: **Magic Corner (Iron Grey) (4 Way)**

Material - Iron + ABS + Aluminum (Iron Grey)

Suitable Cabinet Size (mm) - 900

Dimension (W X D X H):

608 X 455 X 584

Functional Features

Make full use of the corner position, the design of split linkage, the basket can be lowered and pulled out Outside the cabinet, it is extremely convenient for kitchen use.

Idea

Reasonable split linkage design, you can freely choose the basket you need to use. The basket body can be applied to different storage requirements, which greatly facilitates the user's kitchen room experience.

Storage

It is recommended to store infrequently used utensils, small appliances, dishes, dried fruits, seasonings Supplies and other items.

Quality

The base material is stamped and bent with food-grade stainless steel, and the structural parts are made of ABS. Perfect assembly process, fingerprint-free surface treatment, durable and environmentally friendly healthy.







Pantry



Pantry (Satin)

Product Name: **Pantry Satin**

Size	4 Layer * 450 mm (8 Basket)		
Dimension	W	D	H
	414	500	600-750
Size	6 Layer * 450 mm (12 Basket)		
Dimension	W	D	H
	414	500	1950-2050
Size	6 Layer * 450 mm (12 Basket)		
Dimension	W	D	H
	564	500	1950-2200

Functional Features

The unique interlocking design brings out all the baskets at the same time as the door is opened, which is convenient store items. Silent design, so that the product is always in the process of opening and closing. Maintain a smooth, smooth effect. Double guide rail design, a change from the previous single guide rail Mode, strengthen the load-bearing capacity of the product, and keep the pull out stable.

Idea

The basket body can be adapted to different storage requirements, and the basket body with different characteristics can be selected. The unique design transfers all the load-bearing points of the basket to the cabinet, ensuring that the door board will not sink. Both left and right door can be installed

Storage

It is recommended to store infrequently used utensils, small appliances, dishes, dried fruits, seasonings supplies and other items.

Quality

The substrate is made of high-quality tempered glass and aluminum profiles, and the structural parts are made of ABS. Perfect assembly process, fingerprint-free surface treatment, durable and environmentally friendly healthy.



Tall Unit (Satin)

Product Name - **Tall Unit Satin**

Model No	GH-106400		
Size (mm)	6 Layer * 400 mm		
Dimension	W	D	H
	350	500	1800-2200

Functional Features

The unique interlocking design brings out all the baskets at the same time as the door is convenient store items. Silent design, so that the product is always in the process of opening and closing. Maintain a smooth, smooth effect. Double guide rail design, a change from the previous single guide rail Mode, strengthen the load-bearing capacity of the product, and keep the pull out stable.

Idea

The basket body can be adapted to different storage requirements, and the basket body with different characteristics can be selected. The unique design transfers all the load-bearing points of the basket to the cabinet, ensuring that the door The board will not sink. Both left and right door can be installed

Storage

It is recommended to store infrequently used utensils, small appliances, dishes, dried fruits, seasonings supplies and other items.

Quality

The substrate is made of high-quality tempered glass and aluminum profiles, and the structural parts are made of ABS. Perfect assembly process, fingerprint-free surface treatment, durable and environmentally friendly healthy.



Pantry (Glass)

Product Name - **Pantry Glass**

Size (mm)	6 Layer * 450 mm		
Dimension (12 Baskets)	W	D	H
	414	500	1650-1950
Size (mm)	6 Layer * 600 mm		
Dimension (12 Baskets)	W	D	H
	564	500	1650-1950

Functional Features

The unique interlocking design brings out all the baskets at the same time as the door is convenient store items. Silent design, so that the product is always in the process of opening and closing. Maintain a smooth, smooth effect. Double guide rail design, a change from the previous single guide rail Mode, strengthen the load-bearing capacity of the product, and keep the pull out stable.

Idea

The basket body can be adapted to different storage requirements, and the basket body with different characteristics can be selected. The unique design transfers all the load-bearing points of the basket to the cabinet, ensuring that the door The board will not sink. Both left and right door can be installed

Storage

It is recommended to store infrequently used utensils, small appliances, dishes, dried fruits, seasonings supplies and other items.

Quality

The substrate is made of high-quality tempered glass and aluminum profiles, and the structural parts are made of ABS. Perfect assembly process, fingerprint-free surface treatment, durable and environmentally friendly healthy.



Pantry (Graphite Grey)

Product Name - **Pantry Graphite Grey**

Size (mm)	6 Layer * 450 mm		
Dimension (12 Baskets)	W	D	H
	414	500	1650-1950
Size (mm)	6 Layer * 600 mm		
Dimension (12 Baskets)	W	D	H
	564	500	1650-1950

Functional Features

The unique interlocking design brings out all the baskets at the same time as the door is convenient store items. Silent design, so that the product is always in the process of opening and closing. Maintain a smooth, smooth effect. Double guide rail design, a change from the previous single guide rail Mode, strengthen the load-bearing capacity of the product, and keep the pull out stable.

Idea

The basket body can be adapted to different storage requirements, and the basket body with different characteristics can be selected. The unique design transfers all the load-bearing points of the basket to the cabinet, ensuring that the door The board will not sink. Both left and right door can be installed

Storage

It is recommended to store infrequently used utensils, small appliances, dishes, dried fruits, seasonings supplies and other items.

Quality

The substrate is made of high-quality tempered glass and aluminum profiles, and the structural parts are made of ABS. Perfect assembly process, fingerprint-free surface treatment, durable and environmentally friendly healthy.



Pantry (Higold)

Product Name - **Pantry HiGold**

Model No.	GH-206450			GH-206600		
Size (mm)	6 Layer * 450 mm			6 Layer * 600 mm		
Dimension	W	D	H	W	D	H
	375	500	1810-2210	475	500	1810-2210

Functional Features

The unique interlocking design brings out all the baskets at the same time as the door is convenient store items. Silent design, so that the product is always in the process of opening and closing. Maintain a smooth, smooth effect. Double guide rail design, a change from the previous single guide rail Mode, strengthen the load-bearing capacity of the product, and keep the pull out stable.

Idea

The basket body can be adapted to different storage requirements, and the basket body with different characteristics can be selected. The unique design transfers all the load-bearing points of the basket to the cabinet, ensuring that the door The board will not sink. Both left and right door can be installed

Storage

It is recommended to store infrequently used utensils, small appliances, dishes, dried fruits, seasonings supplies and other items.

Quality

The substrate is made of high-quality tempered glass and aluminum profiles, and the structural parts are made of ABS. Perfect assembly process, fingerprint-free surface treatment, durable and environmentally friendly healthy.



Space Pantry (HiGold)

Product Name - **Space Pantry HiGold**

Material - Orange

Model No.	GH-206450		
Size (mm)	450mm * 5 Layers		
Dimension	W	D	H
	564	500	1780

Functional Features

The unique interlocking design brings out all the baskets at the same time as the door is convenient store items. Silent design, so that the product is always in the process of opening and closing. Maintain a smooth, smooth effect. Double guide rail design, a change from the previous single guide rail Mode, strengthen the load-bearing capacity of the product, and keep the pull out stable.

Idea

The basket body can be adapted to different storage requirements, and the basket body with different characteristics can be selected. The unique design transfers all the load-bearing points of the basket to the cabinet, ensuring that the door The board will not sink. Both left and right door can be installed

Storage

It is recommended to store infrequently used utensils, small appliances, dishes, dried fruits, seasonings supplies and other items.

Quality

The substrate is made of high-quality tempered glass and aluminum profiles, and the structural parts are made of ABS. Perfect assembly process, fingerprint-free surface treatment, durable and environmentally friendly healthy.



Space Pantry (Iron Grey)



Product Name - Pantry (Iron Grey)

Model No: GH-250503 & 250506

6 Layer * 450 mm

390 X 500 X 1860



6 Layer * 600 mm

564 X 500 X 1860

Functional Features

The unique interlocking design brings out all the baskets at the same time as the door is convenient store items. Silent design, so that the product is always in the process of opening and closing. Maintain a smooth, smooth effect. Double guide rail design, a change from the previous single guide rail Mode, strengthen the load-bearing capacity of the product, and keep the pull out stable.

Idea

The basket body can be adapted to different storage requirements, and the basket body with different characteristics can be selected. The unique design transfers all the load-bearing points of the basket to the cabinet, ensuring that the door The board will not sink. Both left and right door can be installed

Storage

It is recommended to store infrequently used utensils, small appliances, dishes, dried fruits, seasonings supplies and other items.

Quality

The substrate is made of high-quality tempered glass and aluminum profiles, and the structural parts are made of ABS. Perfect assembly process, fingerprint-free surface treatment, durable and environmentally friendly healthy.





S-Carousel

For Corner



S-Carousel For Corner (Chrome)

Product Name - **S-Caraousel**

Material - Wood

Type - With Matt & Without Matt

Model No.	GH 030655(L)			GH 030655(R)		
Colour	Chrome					
Dimension	W	D	H	W	D	H
	865	495	600-750	865	495	850-750

Features

Make full use of the corner position, S-tpe integrated design, can put the whole. All items can be taken out of the cabinet, which is convenient for storage. The flying saucer floor uses high-tech an material, so that the item is not easy to slip during the pulling process.

Idea

Using innovative design concepts and ergonomic design methods to make. The whole product is smoother and more suitable during use.

Storage

It is recommended to store infrequently used utensils, small appliances, dishes, dried fruits, seasonings Supplies and other items.

Quality

The frame and components are all made of high quality steel, and the surface uses a special electroplating process. Art treatment to ensure durability, precision and durability.



S-Carousel For Corner (Graphite Grey)

Product Name - **S-Carousel**

Material - Wood

Colour - Graphite Grey

Type - With Matt

Model No.	GH 030655(L)			GH 030655(R)		
Dimension	W	D	H	W	D	H
	865	495	600-750	865	495	850-750

Functional Features

Make full use of the corner position, S-type integrated design, can put the whole. All items can be taken out of the cabinet, which is convenient for storage. The flying saucer floor uses high-tech an material, so that the item is not easy to slip during the pulling process.

Idea

Using innovative design concepts and ergonomic design methods to make. The whole product is smoother and more suitable during use.

Storage

It is recommended to store infrequently used utensils, small appliances, dishes, dried fruits, seasonings Supplies and other items.

Quality

The frame and components are all made of high quality steel, and the surface uses a special electroplating process. Art treatment to ensure durability, precision and durability.



S-Carousel For Corner (Higold)

Product Name - **S-Caraousel (Higold)**

Material - Wood

Type - With Matt

Model No.	GH 030655(L)			GH 030655(R)		
Colour	Chrome					
Dimension	W	D	H	W	D	H
	865	495	600-750	865	495	850-750

Features

Make full use of the corner position, S-type integrated design, can put the whole. All items can be taken out of the cabinet, which is convenient for storage. The flying saucer floor uses high-tech an material, so that the item is not easy to slip during the pulling process.

Idea

Using innovative design concepts and ergonomic design methods to make. The whole product is smoother and more suitable during use.

Storage

It is recommended to store infrequently used utensils, small appliances, dishes, dried fruits, seasonings Supplies and other items.

Quality

The frame and components are all made of high quality steel, and the surface uses a special electroplating process. Art treatment to ensure durability, precision and durability.





Aluminium Profile

Catalogue

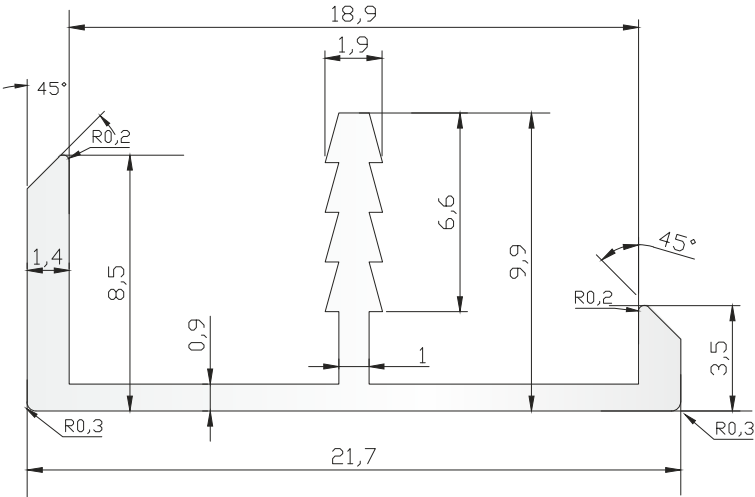


F Profile 19 mm

Model No. - 576



Colour	Size	Length (MTR./FR.)	Weights	Packing (Per Box)
Glossy	19 mm	3.65	350 gm	100
Glossy	19 mm	3	370 gm	100
Matt	19 mm	3	370 gm	100

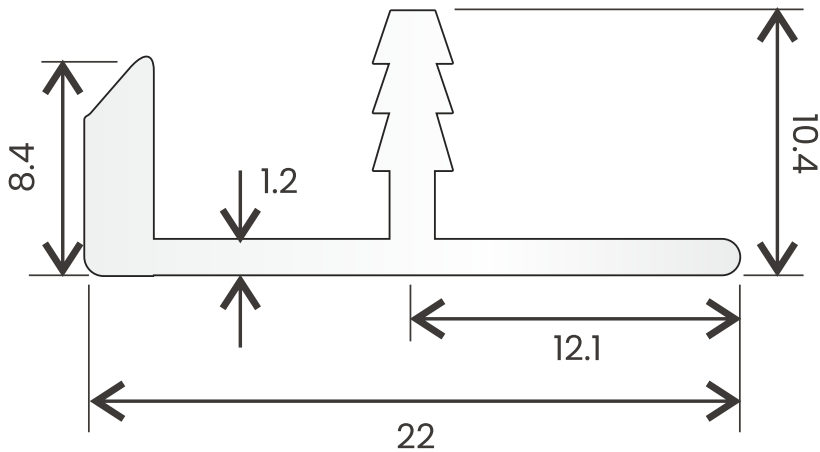


F Profile 22 mm

Model No. - 3505



Colour	Size	Length (MTR./FR.)	Weights	Packing (Per Box)
Glossy	22 mm	3	410 gm	100
Matt	22 mm	3	410 gm	100

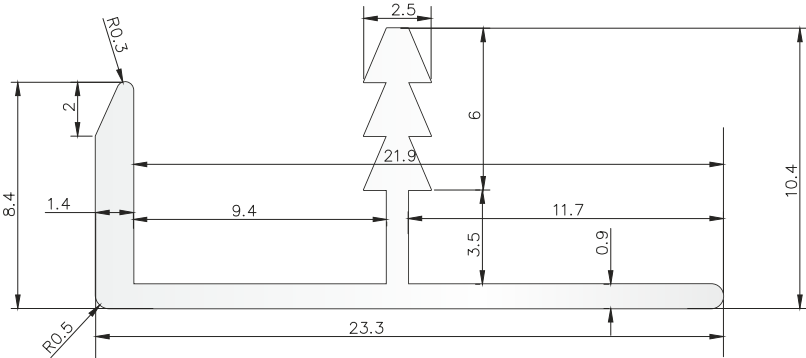


F Profile 25 mm

Model No. - 2431A

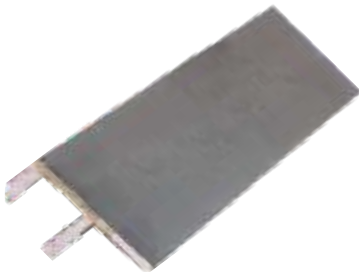


Colour	Size	Length (MTR./FR.)	Weights	Packing (Per Box)
Matt	25 mm	3	350 gm	100

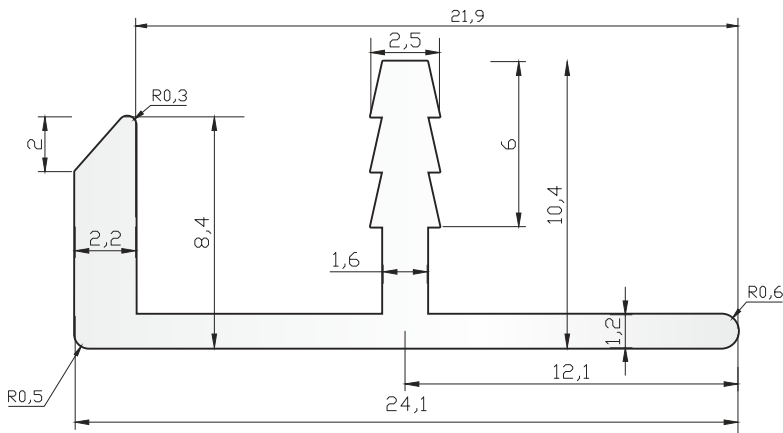


F Profile 25 mm (H)

Model No. - 2431



Colour	Size	Length (MTR./FR.)	Weights	Packing (Per Box)
Glossy	25 mm	3	500 gm	100
Matt	25 mm	3	500 gm	100

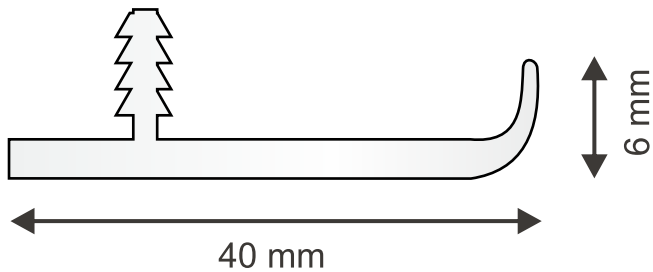


F Profile 40 mm

Model No. - 2331



Colour	Size	Length (MTR./FR.)	Weights	Packing (Per Box)
Glossy	40 mm	3	1 kg	20
Matt	40 mm	3	1 kg	20
Matt Iron Grey	40 mm	3	1 kg	20
Rosegold	40 mm	3	1 kg	20
Matt Black	40 mm	3	1 kg	20
SS Brush	40 mm	3	1 kg	20

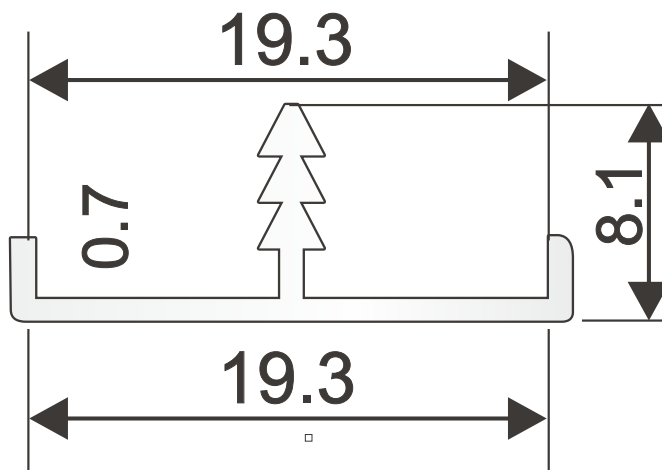


T 19 MM Profile (L)

Model No. - XA007



Colour	Size	Length (MTR./FR.)	Weights	Packing (Per Box)
Glossy	19 mm	3.65	230 gm	100
Matt	19 mm	3.65	240 gm	100
Champagne	19 mm	3	240 gm	100

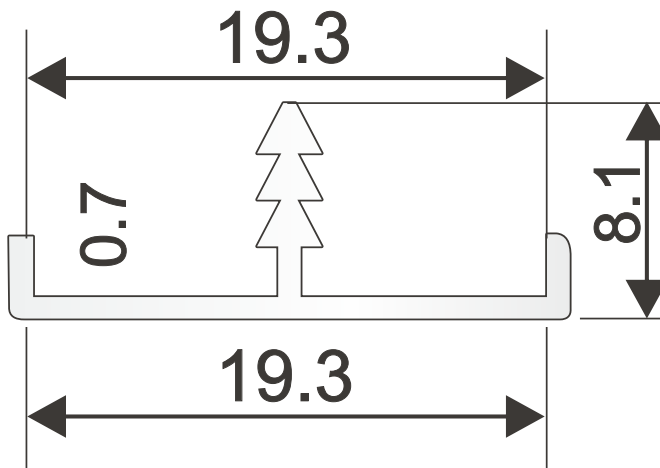


T 19 mm Profile (H)

Model No. - 1830



Colour	Size	Length (MTR./FR.)	Weights	Packing (Per Box)
Glossy	19 mm	3	280 gm	100
Matt	19 mm	3	280 gm	100

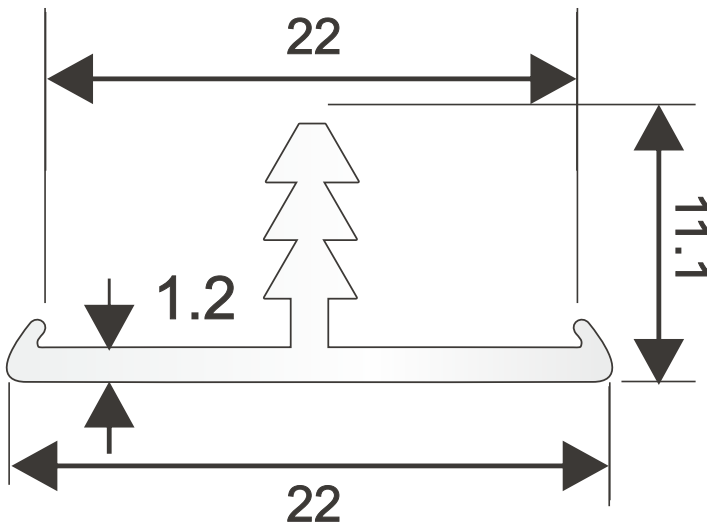


T 22 mm Profile

Model No. - 3201



Colour	Size	Length (MTR./FR.)	Weights	Packing (Per Box)
Glossy	22 mm	3	230 gm	100
Matt	22 mm	3	230 gm	100

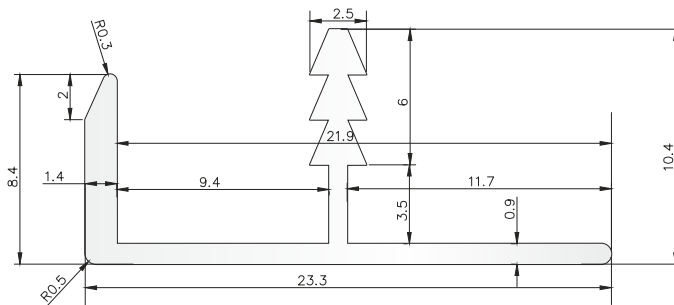


T 25 mm Profile (L)

Model No. - 2432A



Colour	Size	Length (MTR./FR.)	Weights	Packing (Per Box)
Matt	25 mm	3	350 gm	100

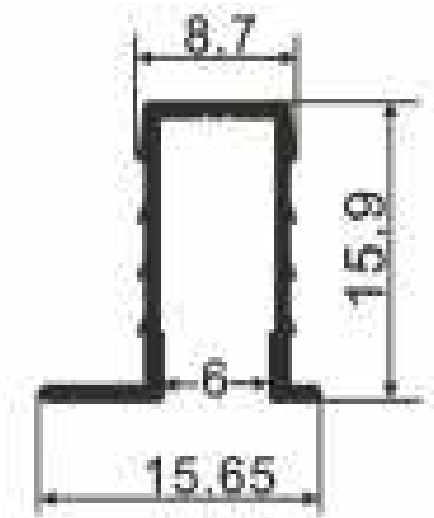


T 56 mm Profile (L)

Model No. - 1786



Colour	Size	Length (MTR./FR.)	Weights	Packing (Per Box)
Matt	16 mm	3	350 gm	100

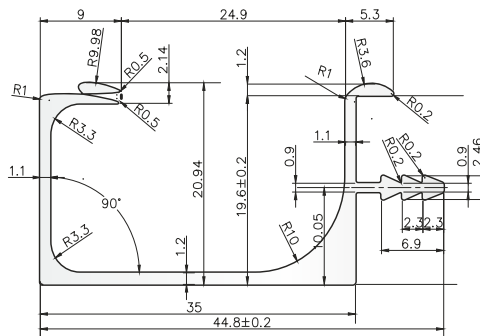


G Profile Medium

Model No. - 4411



Colour	Length (MTR./FR.)	Weights	Packing (Per Box)
Glossy	3	1.150 kg	20
Matt	3	1.150 kg	20
Iron Grey	3	1.150 kg	20
Golden	3	1.150 kg	20
Rosegold	3	1.150 kg	20
Mattgold	3	1.150 kg	20
SS Brush	3	1.150 kg	20

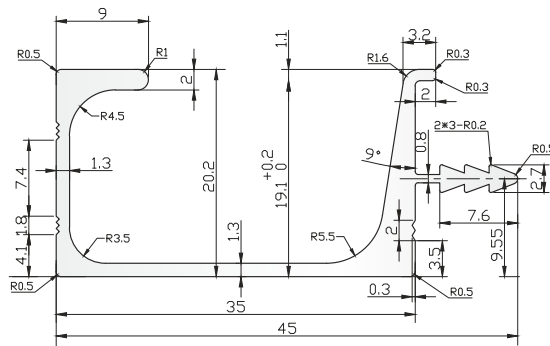


G Profile Heavy

Model No. - 708A



Colour	Length (MTR./FR.)	Weights	Packing (Per Box)
Glossy	3	1.350 kg	20
Matt	3	1.350 kg	20
Iron Grey	3	1.350 kg	20
Golden	3	1.350 kg	20
Rosegold	3	1.350 kg	20
Matt Black	3	1.350 kg	20
SS Brush	3	1.350 kg	20

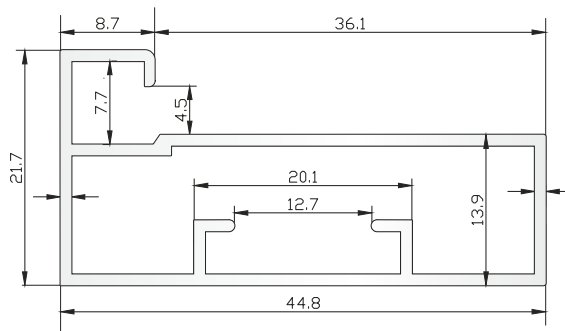


Glass Profile (H)

Model No. - 3158



Colour	Size	Length (MTR./FR.)	Weights	Packing (Per Box)
Glossy	45 mm	3	1.150 gm	20
Matt	45 mm	3	1.150 gm	20
Iron Grey	45 mm	3	1.150 gm	20
Golden	45 mm	3	1.150 gm	20
Rosegold	45 mm	3	1.150 gm	20
Matt Black	45 mm	3	1.150 gm	20
SS Brush	45 mm	3	1.150 gm	20

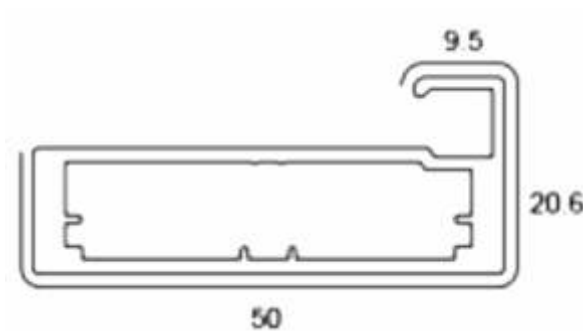


Glass Profile

Model No. - 45 mm & 50 mm



Colour	Size	Length (MTR./FR.)	Weights	Packing (Per Box)
Matt	45 mm & 50 mm	3	1.800 gm	10
Rose Gold	45 mm & 50 mm	3	1.800 gm	10
Matt Black	45 mm & 50 mm	3	1.800 gm	10
SS Brush	45 mm & 50 mm	3	1.800 gm	10
Brush Golden	45 mm & 50 mm	3	1.800 gm	10

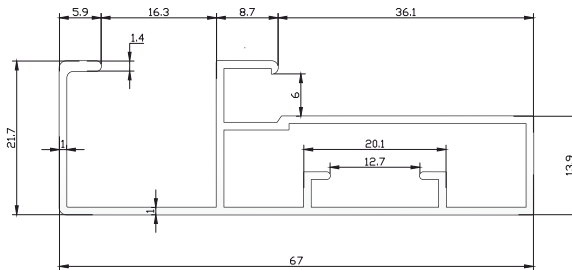


Glass Handle Profile (H)

Model No. - 3157



Colour	Size	Length (MTR./FR.)	Weights	Packing (Per Box)
Glossy	45 mm	3	1.600 gm	10
Matt	45 mm	3	1.600 gm	10
Iron Grey	45 mm	3	1.600 gm	10
Golden	45 mm	3	1.600 gm	10
Rosegold	45 mm	3	1.600 gm	10
Matt Black	45 mm	3	1.600 gm	10
Matt Brush	45 mm	3	1.600 gm	10

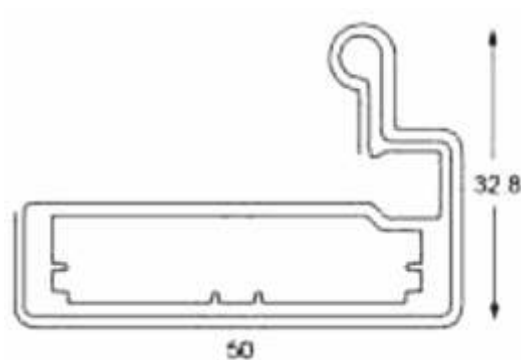


Glass Handle I Type

Model No. - 45 mm & 50 mm



Colour	Size	Length (MTR./FR.)	Weights	Packing (Per Box)
Matt	45 mm & 50 mm	3	2 kg	10
Rosegold	45 mm & 50 mm	3	2 kg	10
Matt Black	45 mm & 50 mm	3	2 kg	10
SS Golden	45 mm & 50 mm	3	2 kg	10
Brush Golden	45 mm & 50 mm	3	2 kg	10

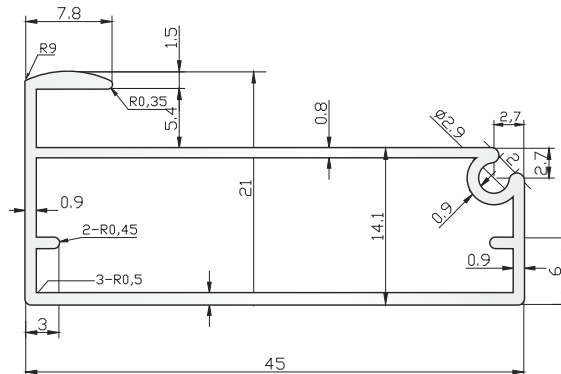


Glass Handle

Model No. - 1835



Colour	Length (MTR./FR.)	Weights	Packing (Per Box)
Glossy	3	1.100 kg	20
Matt	3	1.100 kg	20
Rose Gold	3	1.100 kg	20
SS Brush	3	1.100 kg	20

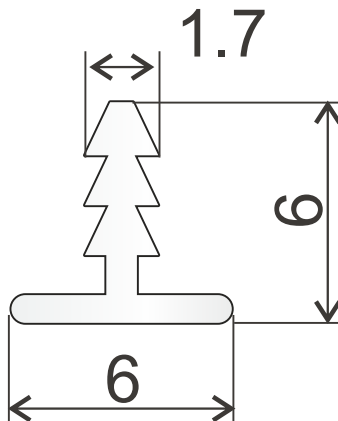


Inlay 6 mm Profile

Model No. - 2428A



Colour	Size	Length (MTR./FR.)	Weights	Packing (Per Box)
Glossy	6 mm	3	90 gm	200
Iron Grey	6 mm	3	90 gm	100
Golden	6 mm	3	90 gm	100
Rosegold	6 mm	3	90 gm	100
Matt Black	6 mm	3	90 gm	100

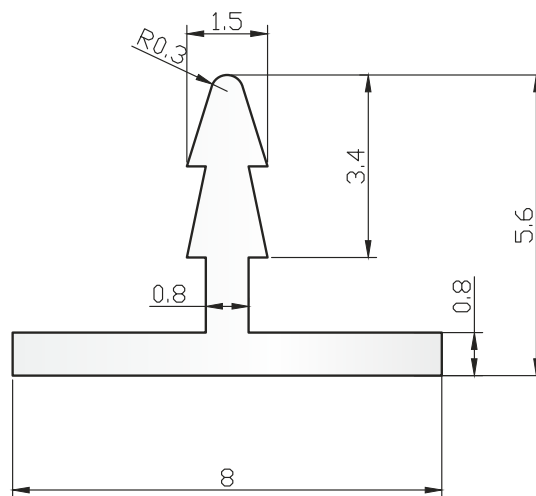


Inlay 8 mm Profile

Model No. - 1328



Colour	Size	Length (MTR./FR.)	Weights	Packing (Per Box)
Glossy	8 mm	3	90 gm	200
Iron Grey	8 mm	3	90 gm	100
Golden	8 mm	3	90 gm	100
Rosegold	8 mm	3	90 gm	100
Matt Black	8 mm	3	90 gm	100

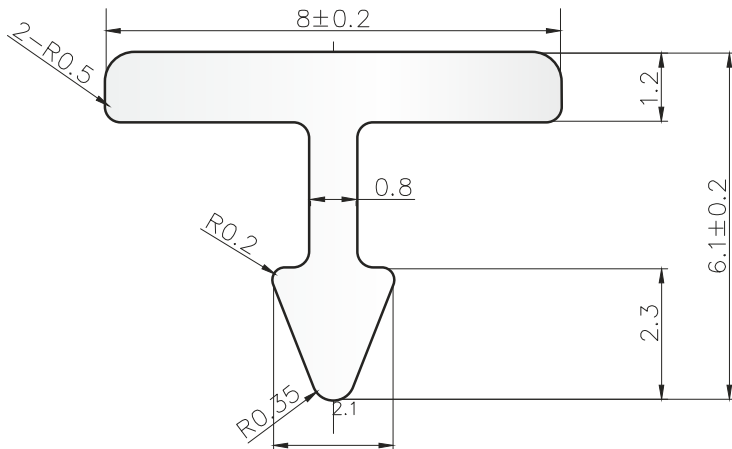


Inlay 8 mm Profile (Heavy)

Model No. - GVH 16

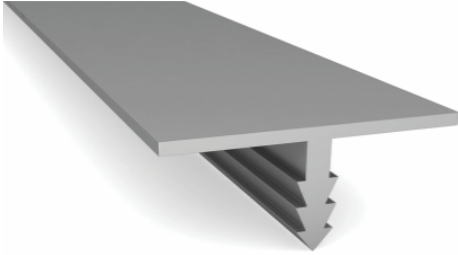


Colour	Size	Length (MTR./FR.)	Weights	Packing (Per Box)
Golden	8 mm	3	110 gm	100
Matt Black	8 mm	3	110 gm	100

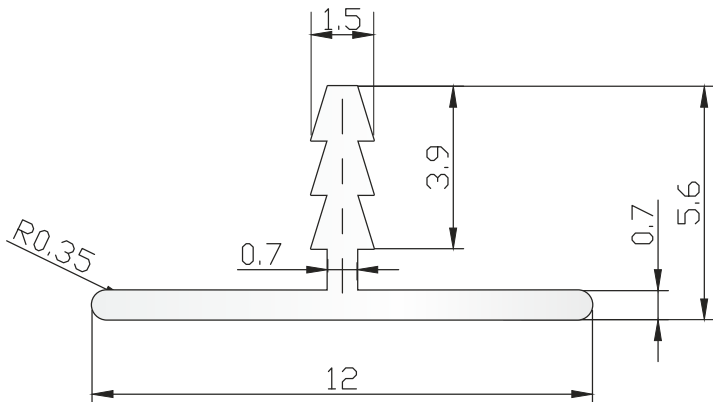


Inlay 12 mm Profile

Model No. - 2429A



Colour	Size	Length (MTR./FR.)	Weights	Packing (Per Box)
Glossy	12 mm	3	110 gm	200
Iron Grey	12 mm	3	110 gm	100
Golden	12 mm	3	110 gm	100
Rosegold	12 mm	3	110 gm	100
Matt Black	12 mm	3	110 gm	100

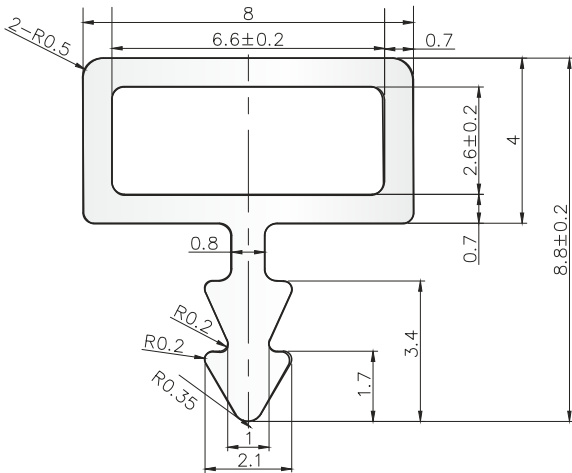


Inlay Pipe Type Width

Model No. - GVH-18



Colour	Length (MTR./FR.)	Weights	Packing (Per Box)
Golden	3	130 gm	1
Matt Black	3	130 gm	100



Inlay Pipe

Model No. - GVH18B



Colour	Length (MTR./FR.)	Weights	Packing (Per Box)
Golden	To be used with GVH-18	----	1
Matt Black	To be used with GVH-18	----	1



Inlay Pipe

Model No. - GVH 18



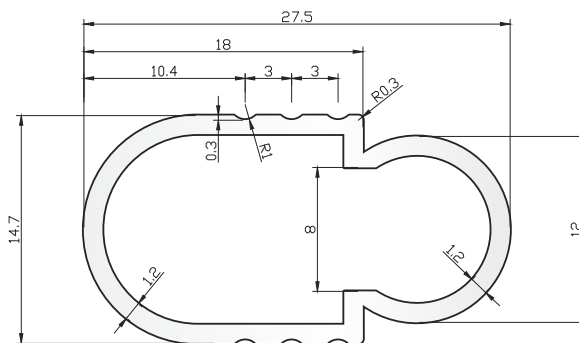
Colour	Length (MTR./FR.)	Weights	Packing (Per Box)
Golden	To be used with GVH-18	----	1
Matt Black	To be used with GVH-18	----	1

Oval Curtain Rod Profile PVC

Model No. - 1820



Colour	Length (MTR./FR.)	Weights	Packing (Per Box)
Blue	3	600 gm	20
Red	3	600 gm	20
White	3	600 gm	20
Yellow	3	600 gm	20



Oval Curtain Profile

Model No. - 1684



Colour	Length (MTR./FR.)	Weights	Packing (Per Box)
Golden	3	600 gm	20

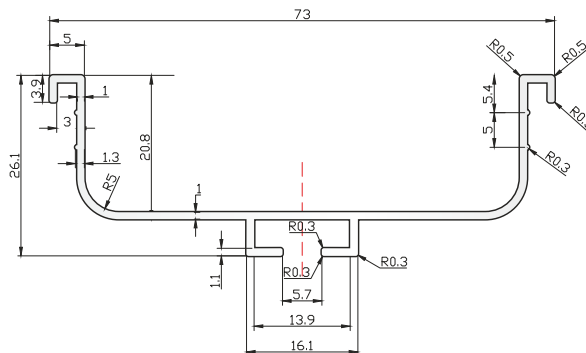


Gola Profile C Type

Model No. - 2702



Colour	Length (MTR./FR.)	Weights	Packing (Per Box)
Glossy	3	1.150 kg	10
Matt	3	1.150 kg	10
Iron Grey	3	1.150 kg	10
Gold	3	1.150 kg	10
Rosegold	3	1.150 kg	10
Matt Black	3	1.150 kg	10
SS Brush	3	1.150 kg	10
Champagne	3	1.150kg	10

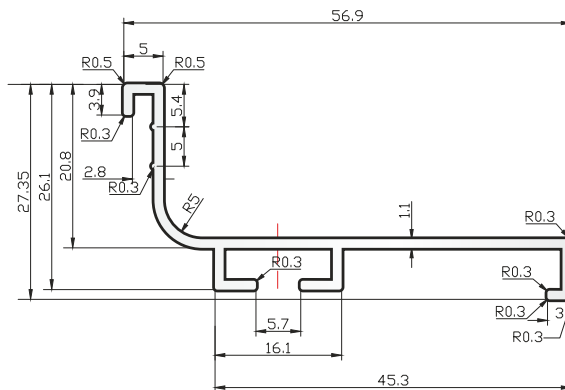


Gola Profile J Type

Model No. - 2703



Colour	Length (MTR./FR.)	Weights	Packing (Per Box)
Glossy	3	1.050 kg	20
Matt	3	1.050 kg	20
Iron Grey	3	1.050 kg	20
Gold	3	1.050 kg	20
Rosegold	3	1.050 kg	20
Matt Black	3	1.050 kg	20
SS Brush	3	1.050 kg	20
Champagne	3	1.050 kg	20

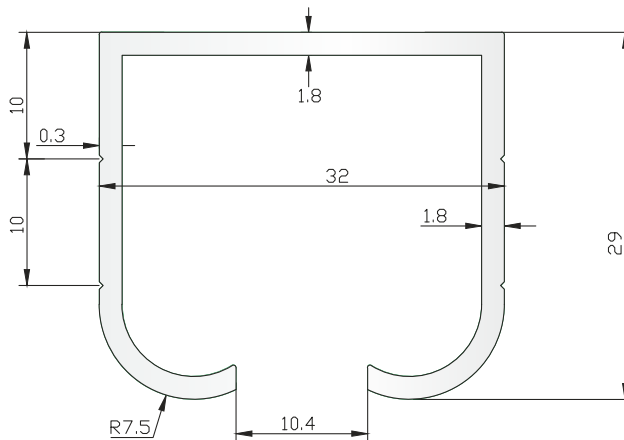


C Channel Profiles

Model No. - 1256



Colour	Length (MTR./FR.)	Weights	Packing (Per Box)
Matt	3	1.500 kg	20
Matt	4	1.800 kg	12

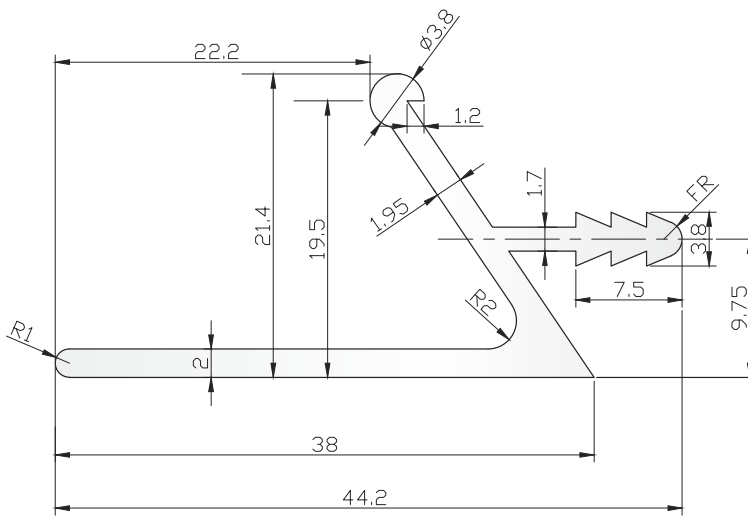


V Profile

Model No. - 1205



Colour	Length (MTR./FR.)	Weights	Packing (Per Box)
Matt	3	1.150 kg	20
Golden	3	1.150 kg	20
Rose Gold	3	1.150 kg	20
Matt Black	3	1.150 kg	20
SS Brush	3	1.150 kg	20

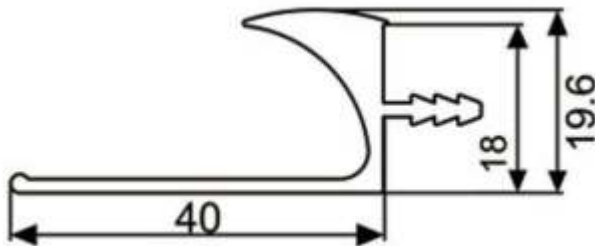


J Profile

Model No. - 1567



Colour	Length (MTR./FR.)	Weights	Packing (Per Box)
Glossy	3	1 kg	20
Matt	3	1 kg	20
Iron Grey	3	1 kg	20
Golden	3	1 kg	20
Rosegold	3	1 kg	20
Matt Black	3	1 kg	20
Matt Brush	3	1 kg	20



Kitchen Profile Handle

Model No. - GV4252



Weights	Packing (Per Box)
150 mm	1 pc
200 mm	1 pc
250 mm	1 pc
450 mm	1 pc
600 mm	1 pc
900 mm	1 pc



Matt Black



Matt Gold



Rose Gold



Nanometer
Coffee



Nanometer
Grey

Kitchen Profile Handle

Model No. - GV064



Weights	Packing (Per Box)
150 mm	1 pc
200 mm	1 pc
250 mm	1 pc
300 mm	1 pc
450 mm	1 pc
600 mm	1 pc
900 mm	1 pc
1200 mm	1 pc

Kitchen Profile Handle

Model No. - GV045B



Weights	Packing (Per Box)
150 mm	1 pc
200 mm	1 pc
250 mm	1 pc
300 mm	1 pc
450 mm	1 pc
600 mm	1 pc
900 mm	1 pc
1200 mm	1 pc

Kitchen Profile Handle

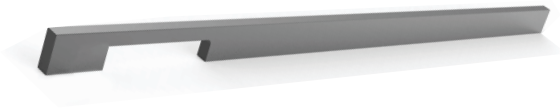
Model No. - GV042B



Weights	Packing (Per Box)
150 mm	1 pc
200 mm	1 pc
250 mm	1 pc
300mm	1 pc
450 mm	1 pc
600 mm	1 pc
900 mm	1 pc
1200 mm	1 pc

Wardrobe Profile Handle

Model No. - GV017-13



Weights	Packing (Per Box)
900 mm	1 pc
900 mm	1 pc
900 mm	1 pc
900 mm	1 pc
900 mm	1 pc

Wardrobe Profile Handle

Model No. - GV017-11



Weights	Packing (Per Box)
900 mm	1 pc
900 mm	1 pc
900 mm	1 pc
900 mm	1 pc
900 mm	1 pc

Wardrobe Profile Handle

Model No. - GV016-1



Weights	Packing (Per Box)
900 mm	1 pc
900 mm	1 pc
900 mm	1 pc
900 mm	1 pc
900 mm	1 pc

Wardrobe Profile Handle

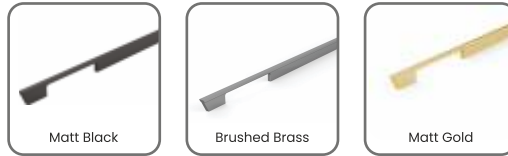
Model No. - GV017-A



Weights	Packing (Per Box)
900 mm	1 pc
900 mm	1 pc
900 mm	1 pc

Wardrobe Profile Handle

Model No. - GVH-3



Weights	Packing (Per Box)
900 mm	1 pc
900 mm	1 pc
900 mm	1 pc



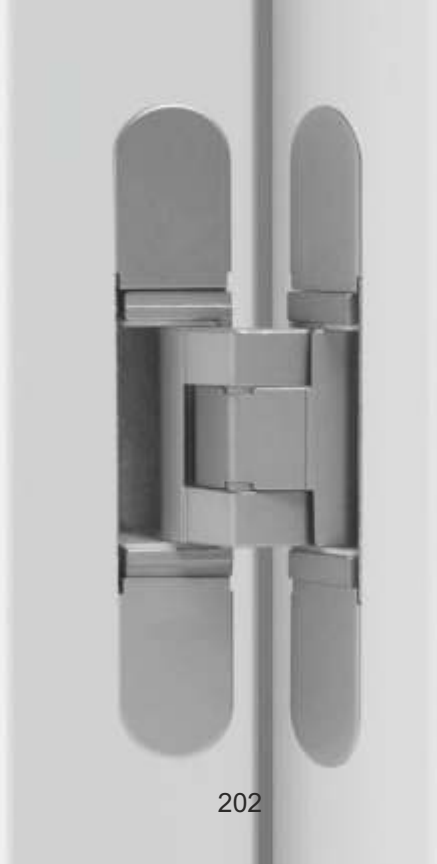
Architectural Hardware Series

Complete hardware solution
Under one roof



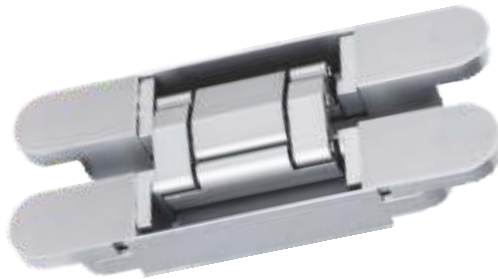


3D Adjustable Concealed Hinge



GVI-80 3D Adjustable Concealed Hinge

Opening angle - 180 degree, Max door weight - 80 kg,
Min door thickness - 40 mm, Max door width - 1050 mm,
Ultra thin hinges - 24.5 mm



Colour - Silver (Matt)



Colour - Black (Matt)



Digital Lock Series



Digital Lock



GH-95
Silver



GH-95
Black



GH-95
Red

Digital Lock



GH-96
Silver



GH-96
Black



GH-96
Red

Digital Lock



GH-98
Golden



GH-998
Black

Digital Knob



GH-998
Red



GH-98
Red



GH-115
Silver & Golden

Digital Lock



GH-1906
Red



GH-1906
Silver



GH-9303
Silver



GH-9303
Red

Digital Lock



GH-4966
Golden



GH-4966
Red



GH-4966
Silver



Night Latch Series



Night Latch

SS



Night Latch

AB



Tribolt

SS



Tribolt

AB



Tribolt 2CK

SS



Tribolt 2CK

AB



Premium Tribolt

SS



Premium Tribolt

AB



Jimmy Verti Bolt Finish

SS



Jimmy Verti Bolt Finish

AB







Door Knob Lock Series



Cylindrical Door Lock

Model No. 5791

Colour: PB & SS



Available in computer key also

Cylindrical Door Lock

Model No. 5831

Colour: PB & SS



Cylindrical Door Lock

Model No. 9215

Colour: BN



Cylindrical Door Lock

Model No. 5874

Colour: BN



Cylindrical Door Lock

Model No. 5791PBSS

Colour: PB



Cylindrical Door Lock Two Tone Heavy Duty

Model No. 5791PBSS

Colour: Two Tone





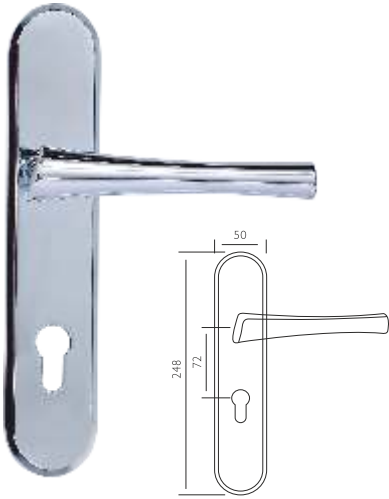


Mortise

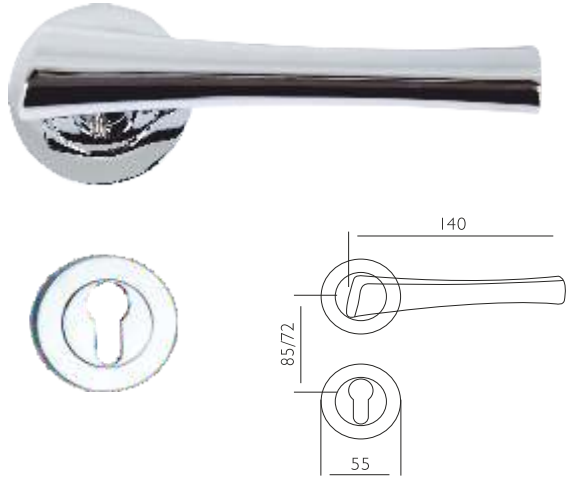
Handles Series



CP Mirror
L10-576PP



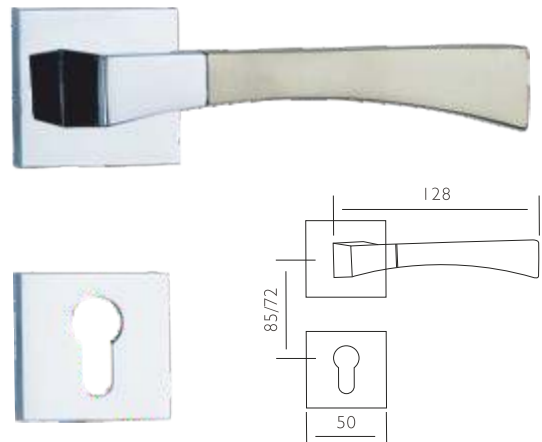
CP Mirror
702-576PP



CP Mirror
L17-556PP



CP Mirror
712-556PP

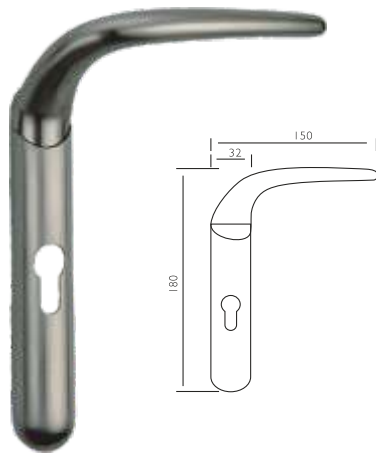


Zinc Handles Size Available: 10" & Rose

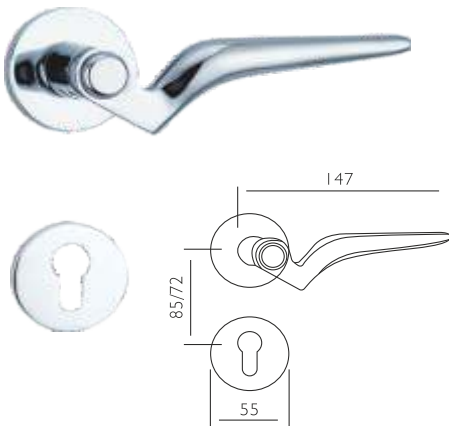
CP Mirror
L17-76PP



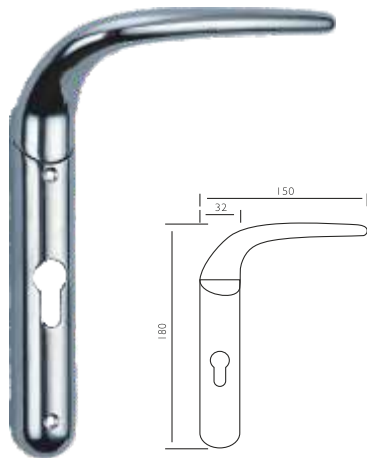
CP Mirror
167-572NB



CP Mirror
702-76PP

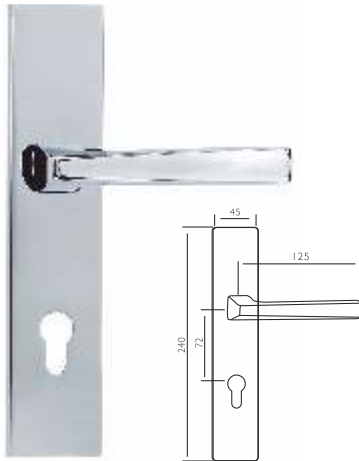


CP Mirror
167-572PP



Zinc Handles Size Available: 10" & Rose

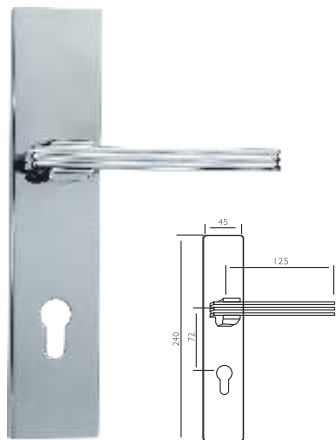
CP Mirror
L17-589PP



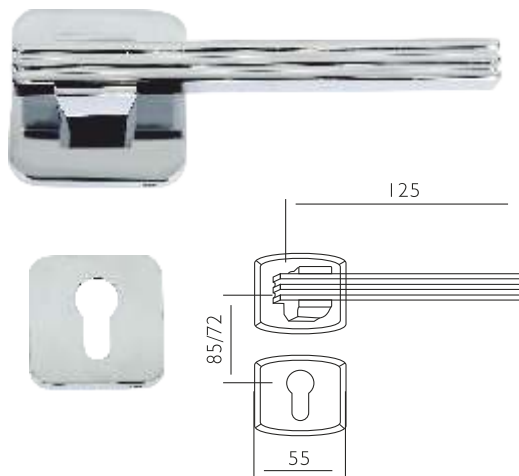
CP Mirror
712-589PP



CP Mirror
L17-593PP

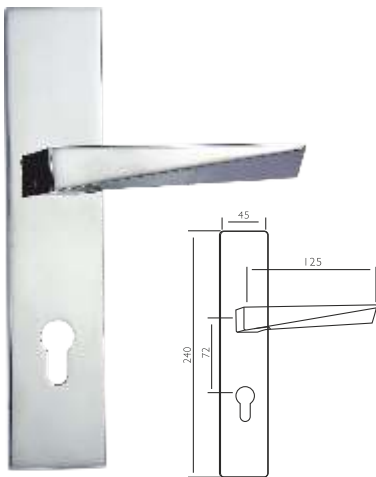


CP Mirror
713-593PP



Zinc Handles Size Available: 10" & Rose

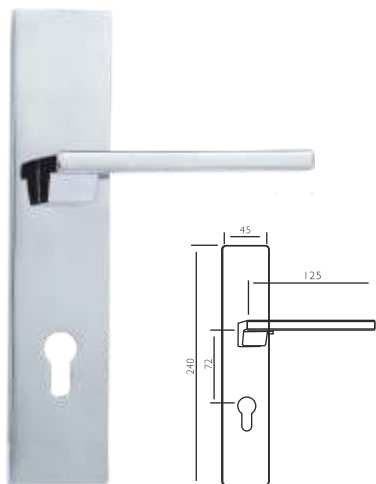
CP Mirror
L17-595PP



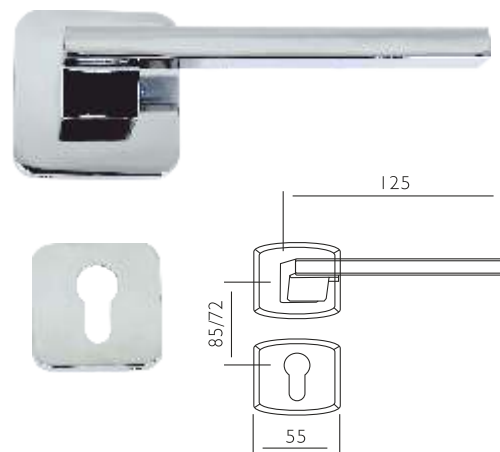
CP Mirror
713-595PP



CP Mirror
L17-590PP



CP Mirror
713-590PP



Zinc Handles Size Available: 10" & Rose

CP Matt

Z7200-Z094



CP Matt

Z5037-Z219



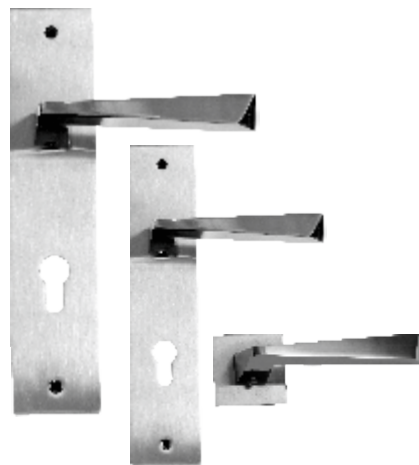
CP Matt

Z7200-Z091



CP Matt

Z7037-Z058



Zinc Handles Size Available: 10" & Rose

CP Matt

Z7037-Z218



Strength Mortise Handles

Complete set with lock body & cylinder



CP Matt

Z7200-Z227



Zinc Handles Size Available: 10" & Rose

Stainless Steel (Matt/CP) Size Available: 8"





Lock Body & Cylinder Series



Cylindrical Door Lock

Model No. 5831

Colour: PB & SS

60mm OSK	Normal Key
60mm OSK	Ultra Key
60mm BSK	Normal Key
60mm BSK	Ultra Key
70mm OSK	Normal Key
70mm OSK	Ultra Key
70mm BSK	Normal Key
70mm BSK	Ultra Key

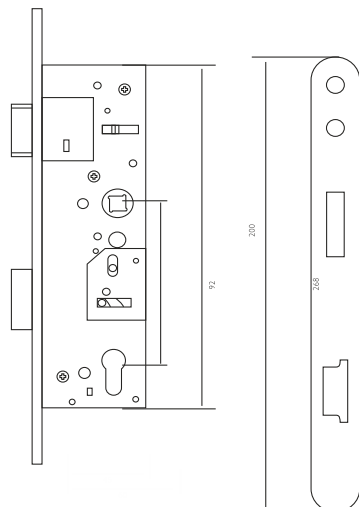
* OSK One Side Key

* BSK Both Side Key



Lock Body

Size : 8" / 10"





Door Holder Series



Door Holder SS

Model No. 818



Door Holder SS

Model No. 131



Door Holder SS

Model No. G-138



Special Cup Packing

Door Holder Plastic

Colour: Brown & Ivory



Non Magnetic Door Holder

With Gear Mechanism



Door Silencer

Model No. G-311



Door Latch

Model No. G-601



Door Latch

Model No. G-603



Door Chain (SS Finish & Rose Gold)

Model No. G-621





Door Closer Series



Model No: G10

Normal grade for 5 year warranty,
Hexagonal cover door closer (25-45 Kg),
Silver, self closing Hole distance
132 * 19 mm, with black silk print logo



Model No: G20

Normal grade for 5 year warranty, Hexagonal
cover door closer (45-60 Kg), Silver,
self closing Hole distance 162 * 19 mm,
with black silk print logo



Model No: A063

Triangle door closer (45-60kg),
for 5 years warranty, Silver,
Self closing Hole distance 201 * 19 mm,
with black silk print logo



Concealed Door Closer

Model No: A080R

Concealed door closer Round Type
(35-60 Kg), for 5 year warranty,
Silver, hold open with black silk print logo





Door Bearing Hinges Series



Bearing Hinges

304 SS Grade



304 SS available in special gift pack

Bearing Hinges

304 SS Grade

Sizes:

3" X 2.5" X 2.5 mm

4" X 3" X 3 mm

5" X 3" X 3 mm





Cabinet Handle & Knob Series



937-Blue+CP



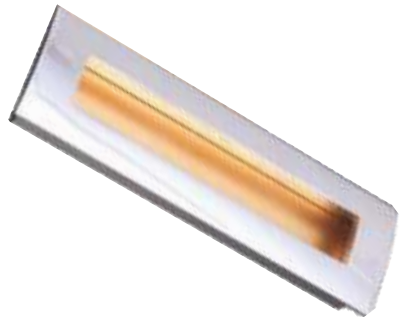
937-Cream+Golden



917-Blue+CP



8419-CP+Gold



917-Cream+Golden



566 CP



837 Matt/CP/Nickel

Zinc Knobs



863 CP/Matt

Zinc Knobs



761 CP



512 CP

Swarovski



862 CP

Zinc Knobs



1432 CP



763 CP



515 CP

Swarovski



513 CP

Swarovski



C850 CP+Brush



765 CP



C850 CP+Wood



1456 CP



1216 CP+Brush



B1456 CP



8540 CP+Brush



1486 CP+Wood

Also available CP+Brush



1486 CP

Also available CP+Wood



1313 CP Brush



292 + CP

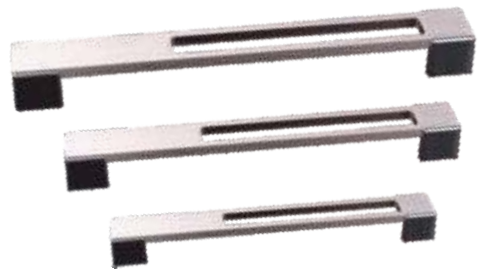
Aluminum Handle



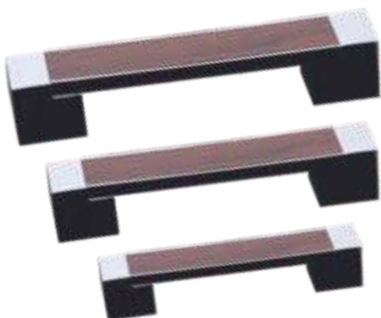
C817 CP



1401 CP+Brush



1313 CP+Wood



261 Matt

Aluminum Handle



566 CP



541 CP



557 CP+Brush



567



Butt Handle



1019



1020



9297 PVC



9291 PVC



288 PVC



9250 PVC



KNOB 079 CABINET



079 Golden



KNOB 8144 PVC



KNOB 9249 PVC



KNOB 8124 PVC







kids Handle & Knob Series



GM-24



GM-76



GM-72



GM-A050



GM-20



GM-75



GM-113



GM-A044



GM-77



GM-A092



GM-A060-1



GM-A060



GM-02



GM-A020



GM-A049



GM-A005



GM-108A



GM-A050

(96 & 128 mm)



GM-108A

(96 & 128 mm)



GM-A049

(96 & 128 mm)



GM-108C



GM-A848I

(96 mm)



GM-108C

(64 & 96 mm)



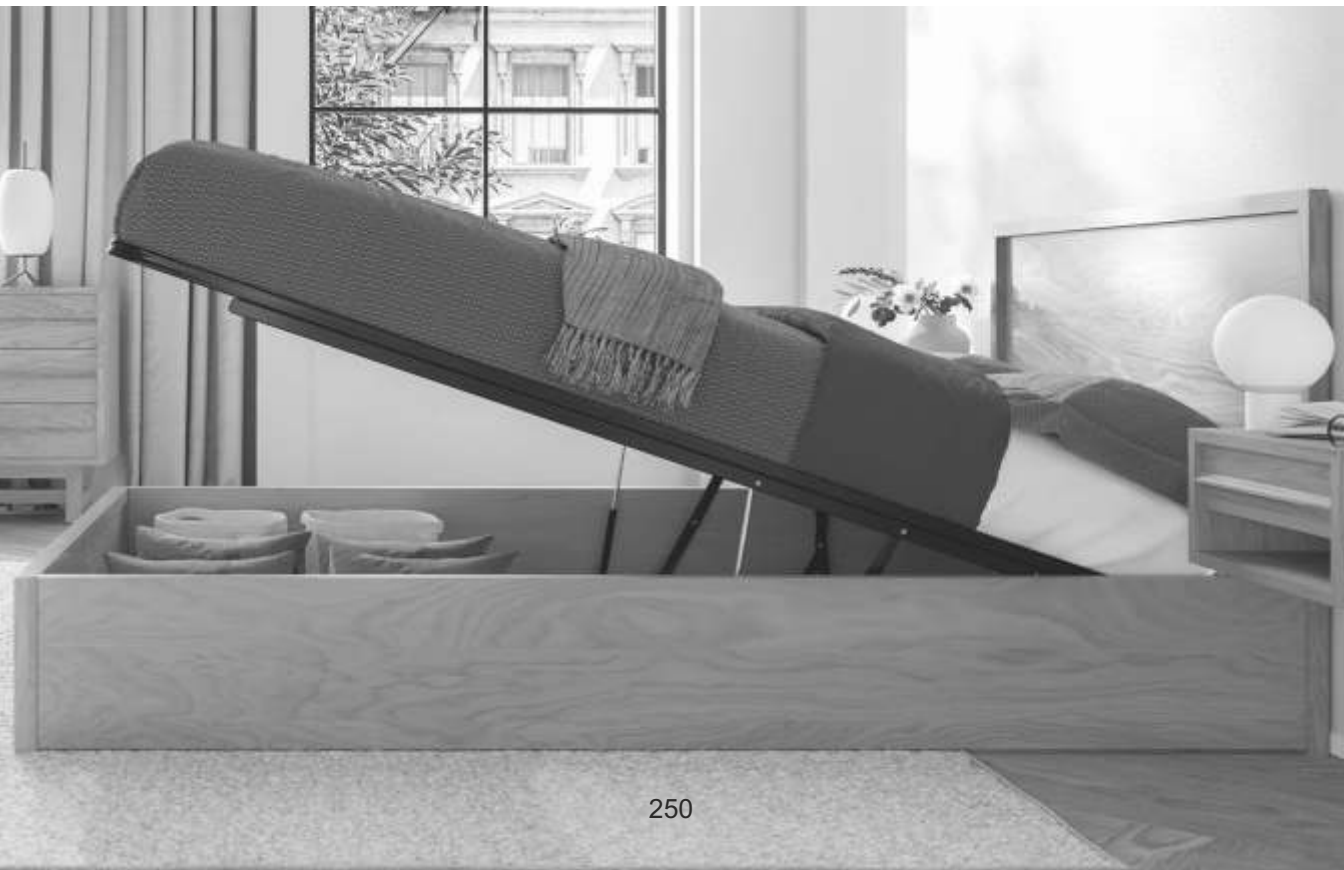
GM-848

(96 mm)





Bed Fitting Series



Bed Fitting (5 Feet Heavy)

Capacity : 50/75/100/125/150 Kgs



Bed Fitting (3 Feet Light)

Capacity : 50/75/100/125/150 Kgs



Bed Fitting (3 Feet Heavy)

Capacity: 50/75/100/125/150 Kgs



Shocker For Bed (Size - 18" & 24")

Capacity: 35 Kg, 50 Kg & 75 Kg



Wall Mounted Bed

Fitting Manual



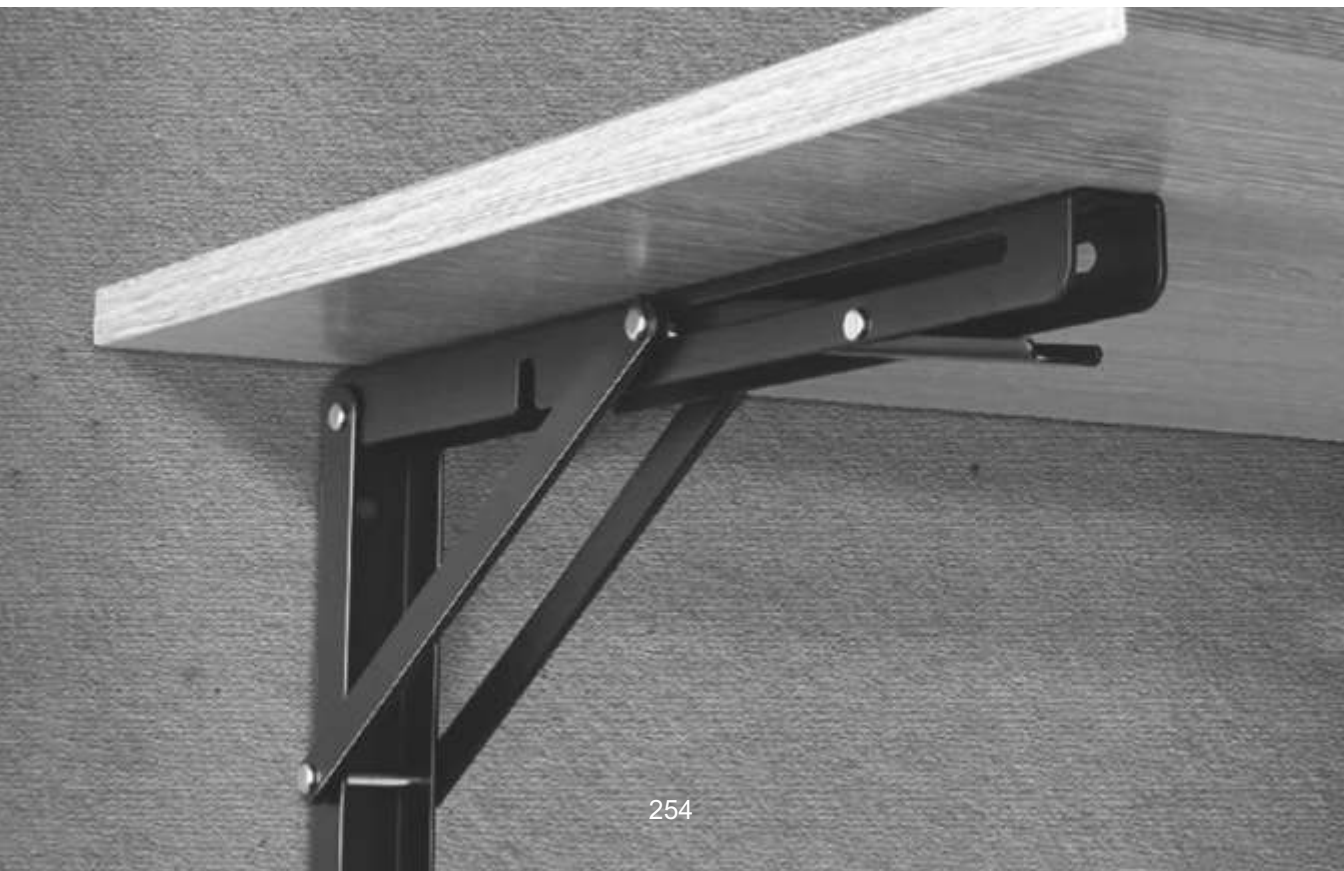
Moterised Openable Bed Fitting

Remote Control Operated





Folding Bracket Series



L-Type Bracket

10 inch & 14 inch



F-Type Bracket

10 inch, 14 inch & 20 inch



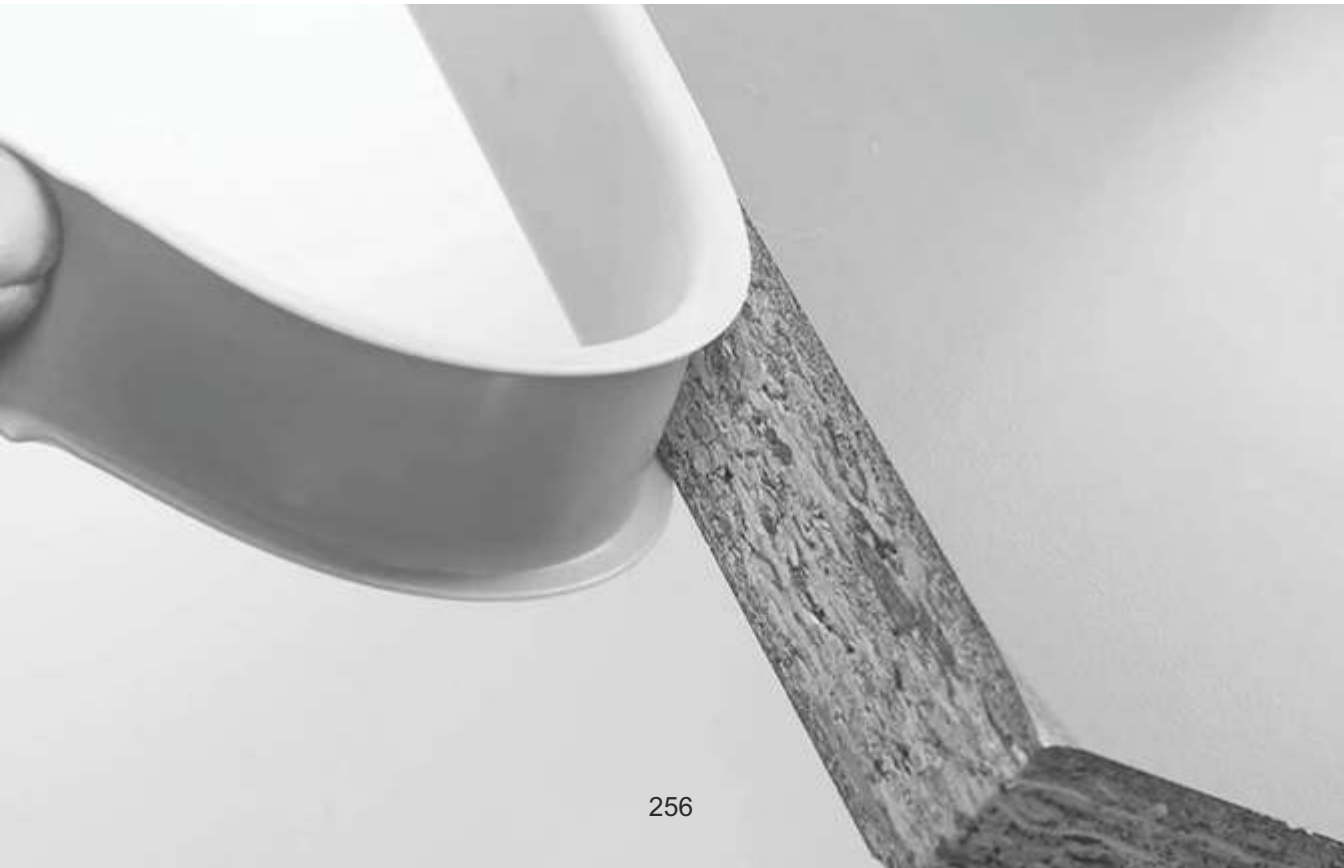
Oven-Type Bracket

16 inch





Edge Banding Tape Series



PVC Edge Binding Tape

0.4 x 22 mm & 0.8 x 22 mm



PVC High Gloss Tape

Size: 0.8 mm / 1.00 mm / 1.3 mm

Packing: 100mtr X 10 Rolls



Chrome Binding Tape

Available in: Silver & Golden

10 mm, 12 mm & 18 mm



Two Tone PVC Tape Acrylic

Silver+D Wenge, Silver+D Orange,
Silver+D Red, Silver+D Sangrila
Size: 1.3mm x 22mm



Two Tone PVC Tape Acrylic 3D

Silver+D Wenge, Silver+D Orange,
Silver+D Red, Silver+D Sangrila
Size: 1.3mm x 22mm



PVC Sticker (Paper Roll)

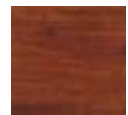
(W: 4ft x L: 50mtr)



Silver
0093



Walnut
379



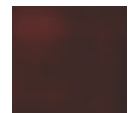
Teak
172



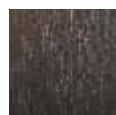
Beech
315



White Cedar
336



Dark Cherry
141



Wenge
118



Rose Wood
258



Dark Teak
151

Hot Melt Adhesive/Glue



Hot Item for Pvc Tape

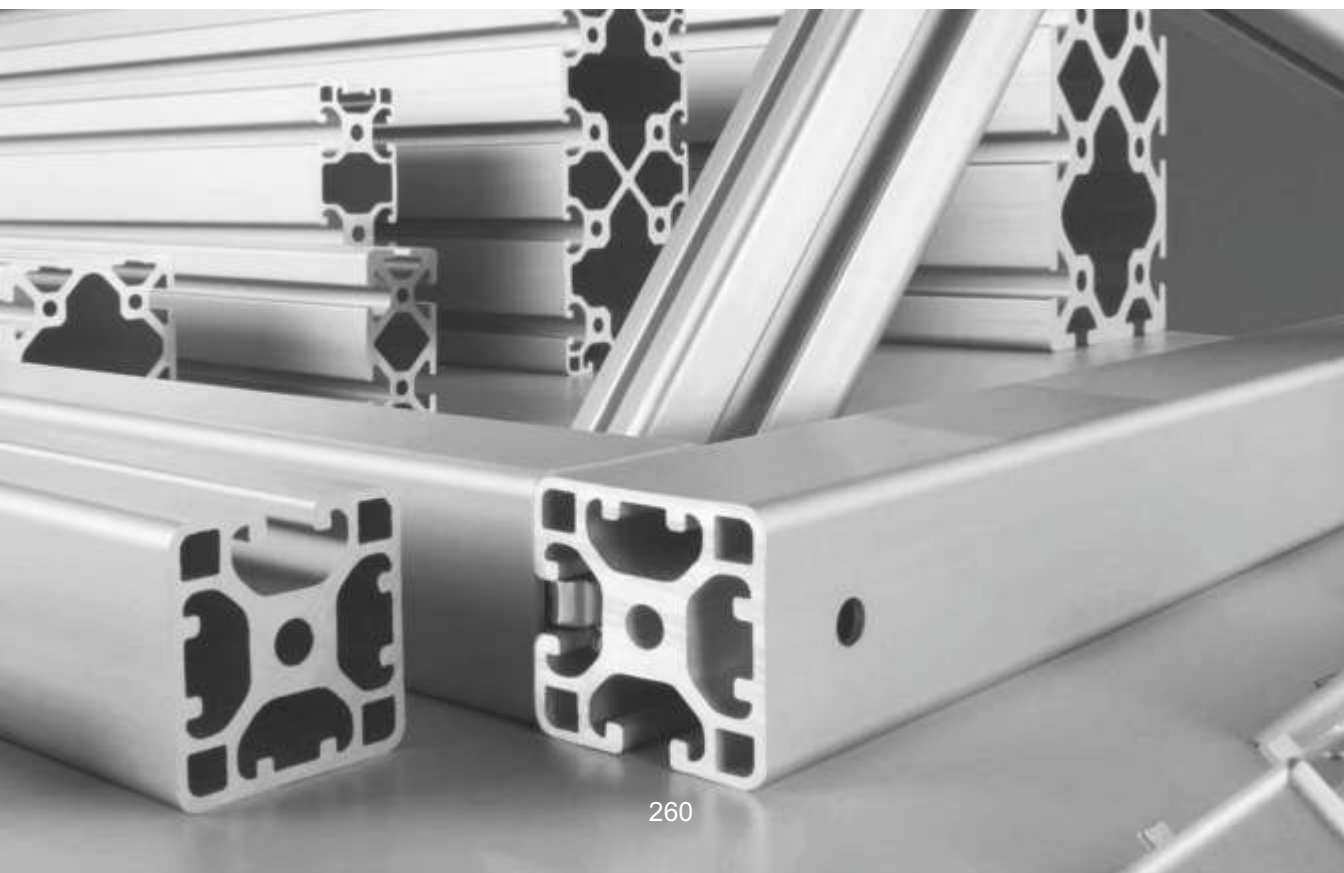
Melamine Pre Glued Tage

Size: 18mm & 38mm





Aluminum Profile Accessories Series



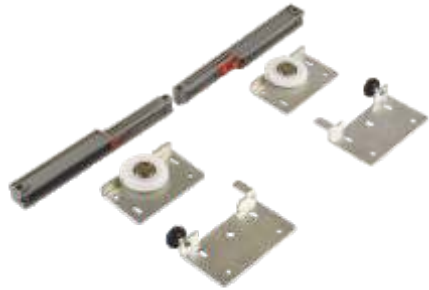
Double Track Wheel

Also available in soft closing



Soft Closing Machine Double Track

Top Button Profile



C Channel Wheel

8 Wheels

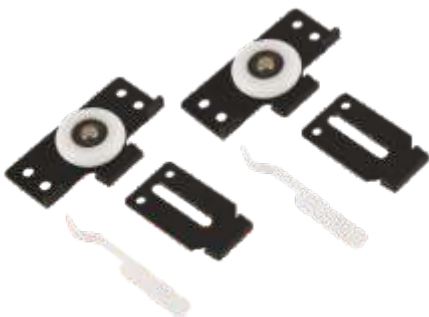


Two Door Sliding System

With Top Button Fitting



Single Track Wheel



Sky Wheel 309 & 409

GVI Sky wheel (Two door), GVI Sky wheel (Three door)
Track 12 ft with cover, Track 12 ft without cover
Track 8 ft with cover, Track 8 ft without cover





New LED Light Series



LED Lights For Hinges



LED Light 365 mm

(Rechargeable + Magnetic + Sensor)



LED Lights Square 008-1

(Rechargeable + Sensor)



LED Light 185 mm

(Rechargeable + Magnetic + Sensor)





Keyboard

Channel Series



Keyboard Channel

Black & White



KDC (Size : 14")

Heavy & Light (Black & White)

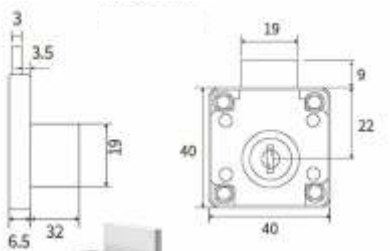


Drawer Lock Series



Drawer Lock 136-22AC

Plastic Key



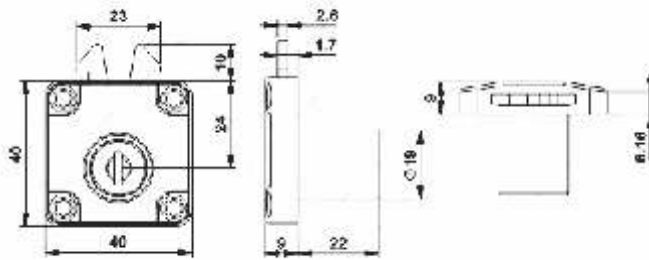
Installation method



**Suitable for door
thickness:
17-22mm**

Key : Plastic Key

Sliding Lock 202-22AC



Cylinder: D19mm x L22mm
Material: Zinc Alloy/Iron

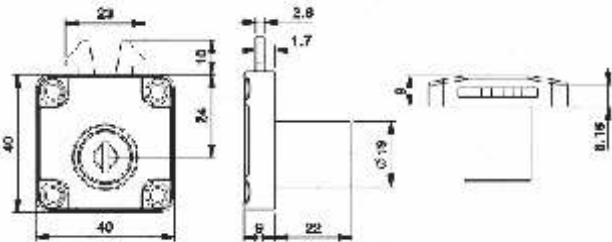


Ball-Iron Key



Little Doctor Ball-Iron Key

Sliding Lock 202-22C



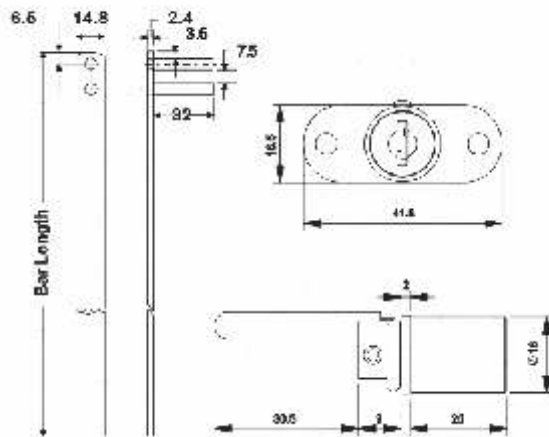
Cylinder: D19mm x L22mm
Material: Iron

Key : Iron Key

Three Drawer Lock **Front** 288-16

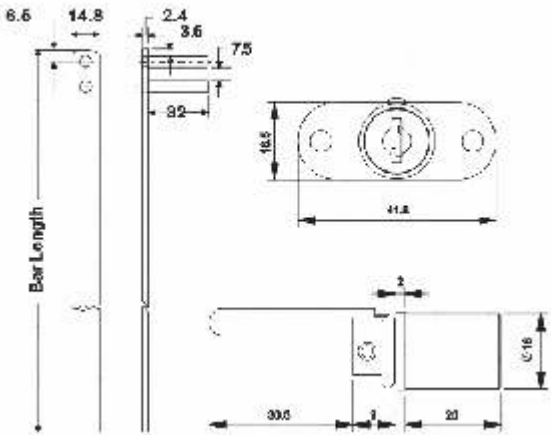


Cylinder: D16mm X L20mm
Material: Zinc Alloy



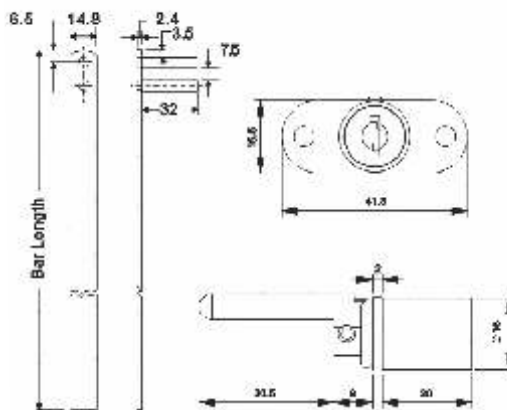
Key : Iron Key

Three Drawer Lock **Front** 288-16B



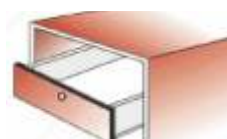
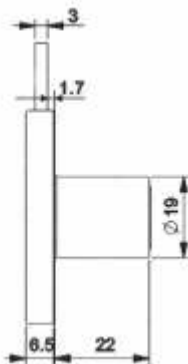
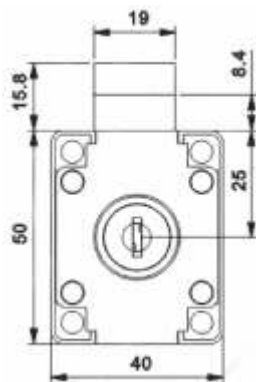
Key : Iron Key

Three Drawer Lock Front K288-18A | Side 108-16b



Key : Computer Key

Double Ton 139-22

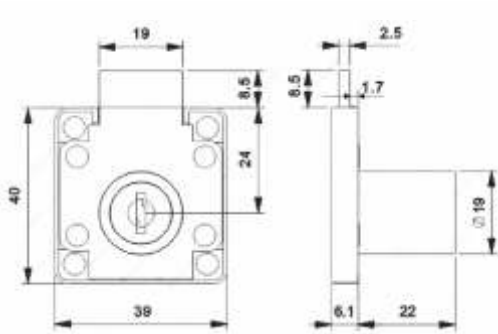


Installation Method

Cylinder: D19mm x L22mm
Material: Zinc Alloy
Key: Iron Key

Finish
Nickel
Chrome

Elephant Lock Light 138-22C



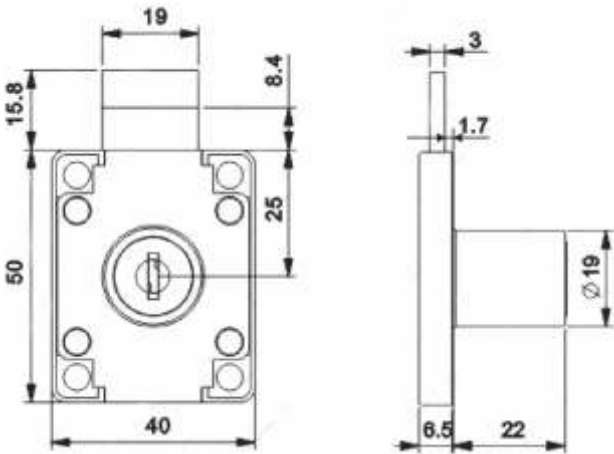
Installation method

Cylinder: D19mm x L22mm
Material: Iron body
Finish Chrome
Key-Iron Key + Folding Key Plastic

Elephant Lock **Heavy** 138-22AC



Cylinder: D19mm X L22mm
Material: Zinc Alloy

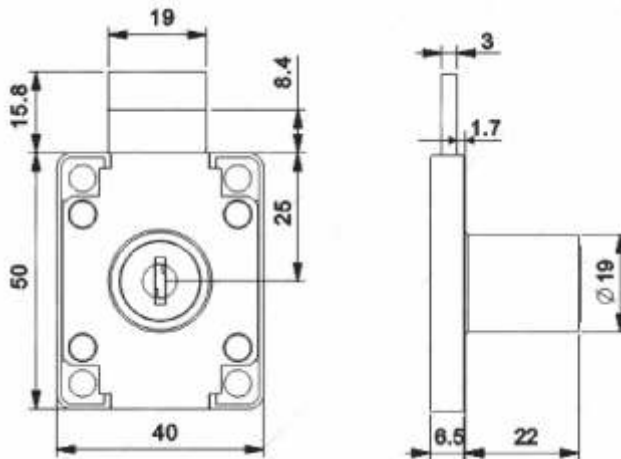


Finish: Chrome
Key: Iron Key

Elephant Lock (Long Neck) 138-32AC

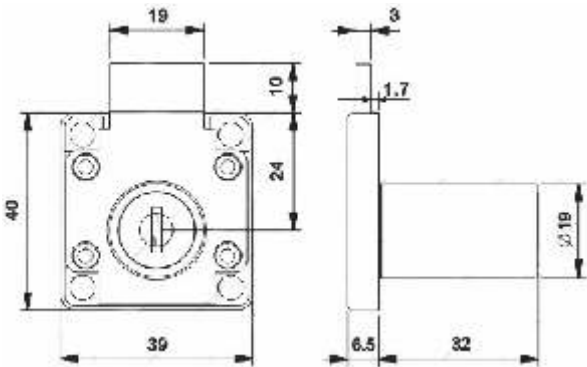


Cylinder: D19mm X L32mm
Material: Zinc Alloy



Finish: Chrome
Key: Iron Key

Drawer Lock K138-22



Installation method

Cylinder: D16mm x L18mm
Material: Zinc Alloy
Key-Computer Key | Brass Key

Finish
Nickel

Cam Lock 103-25 & 30



Cylinder: D25mm X L23mm
Material: Zinc Alloy

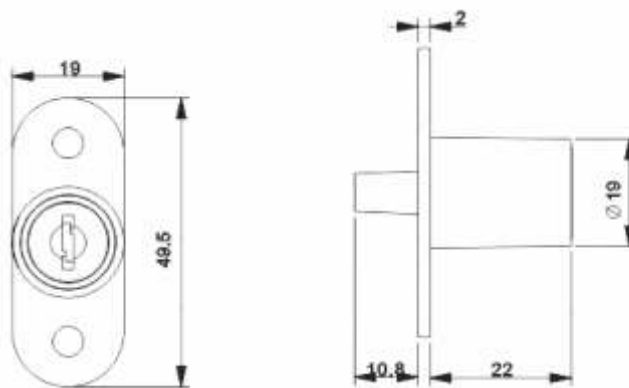


Finish: Chrome
Key: Iron Key

Push Lock A105-24



Cylinder: D19mm X L22mm
Material: Zinc Alloy

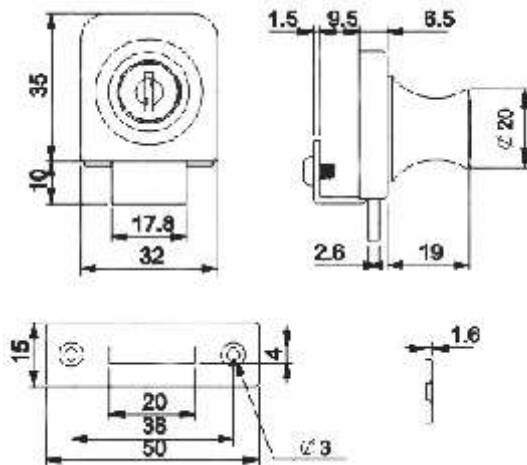


Finish: Chrome
Key: Iron Key

Glass Lock 409 Double

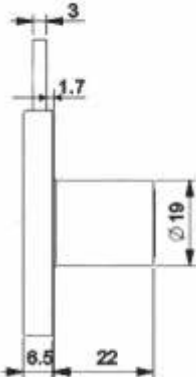
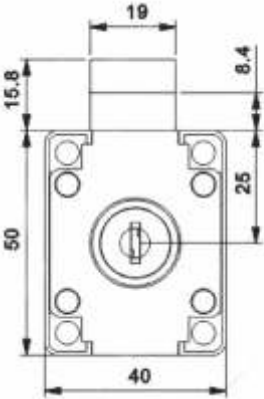


Cylinder: D20mm X L20mm
Material: Zinc Alloy



Finish: Chrome
Key: Iron Key

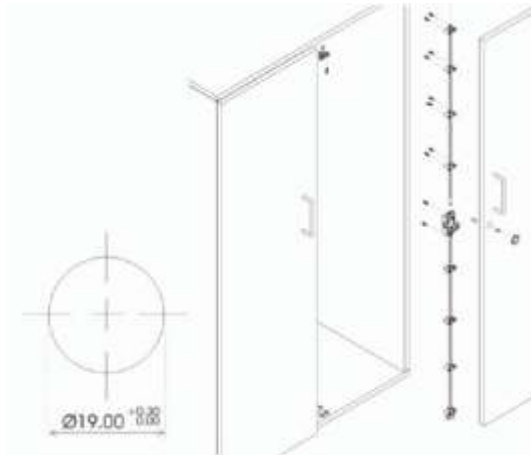
Glass Lock 408 Single



Installation Method

Key: Iron Key

Wardrobe Lock 368-22 With Rod

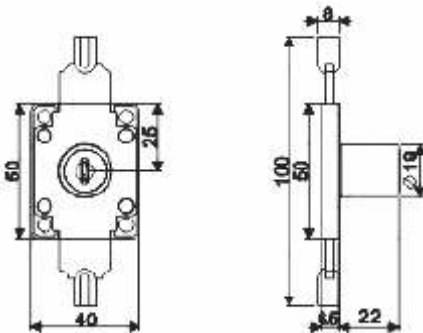


Key: Iron Key

Wardrobe Lock 168-22 With Rod



Used for Wardrobe Lock



Cylinder: D19mm x L22mm
Material: Zinc Alloy
Finish: Chrome
Key: Iron Key



22+ Years of Experience

450+ Happy Dealers

300+ Products

2500+ SKU's

www.gvihardwares.com



WEBSITE



@GVIHARDWARES



WHATSAPP